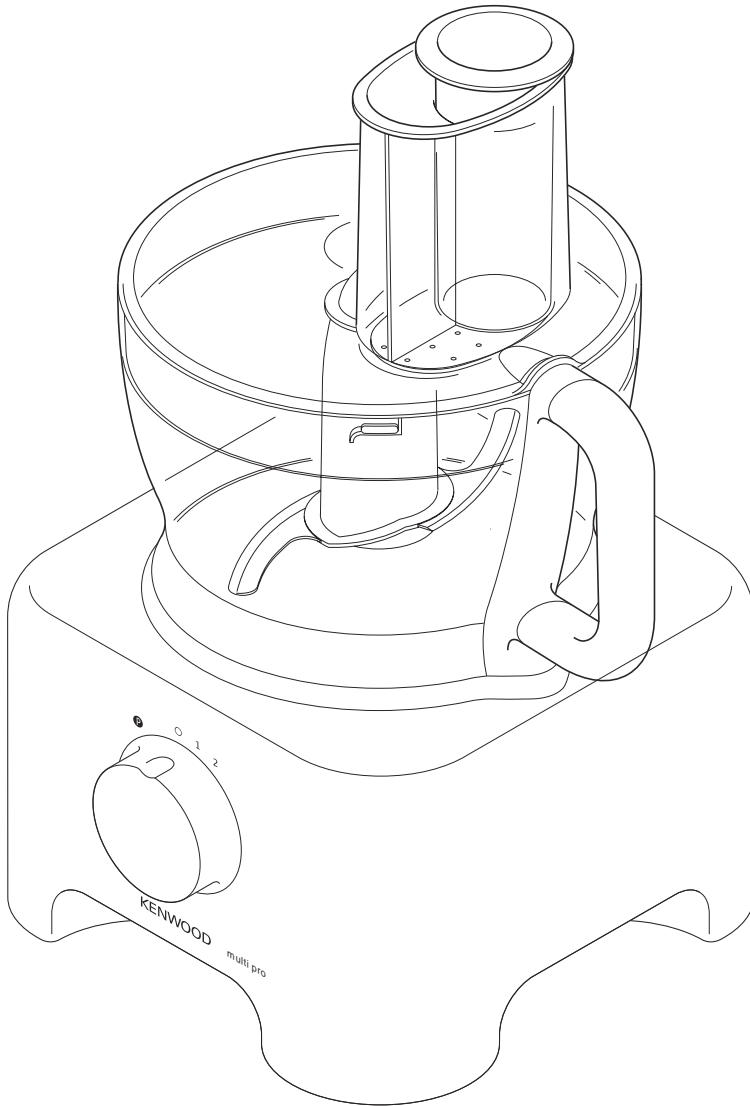




Kenwood Limited, New Lane, Havant, Hampshire PO9 2NH, UK
www.kenwoodworld.com

KENWOOD multi pro



FP710 series
FP720 series

English 2 - 7

Nederlands 8 - 13

Français 14 - 19

Deutsch 20 - 25

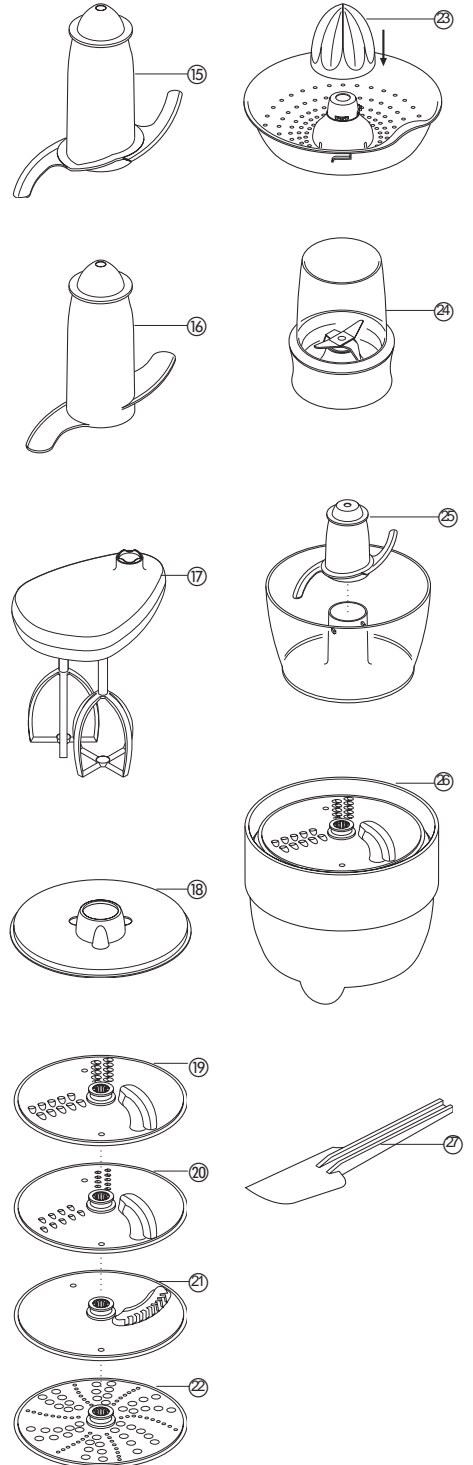
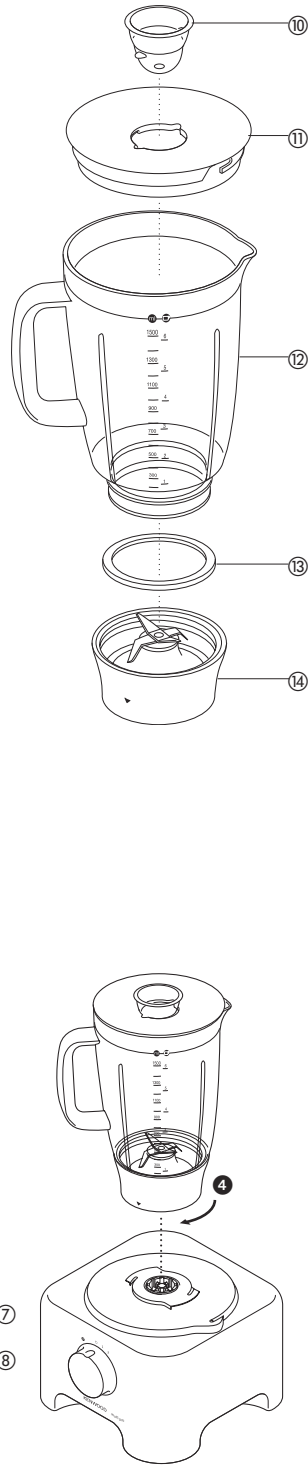
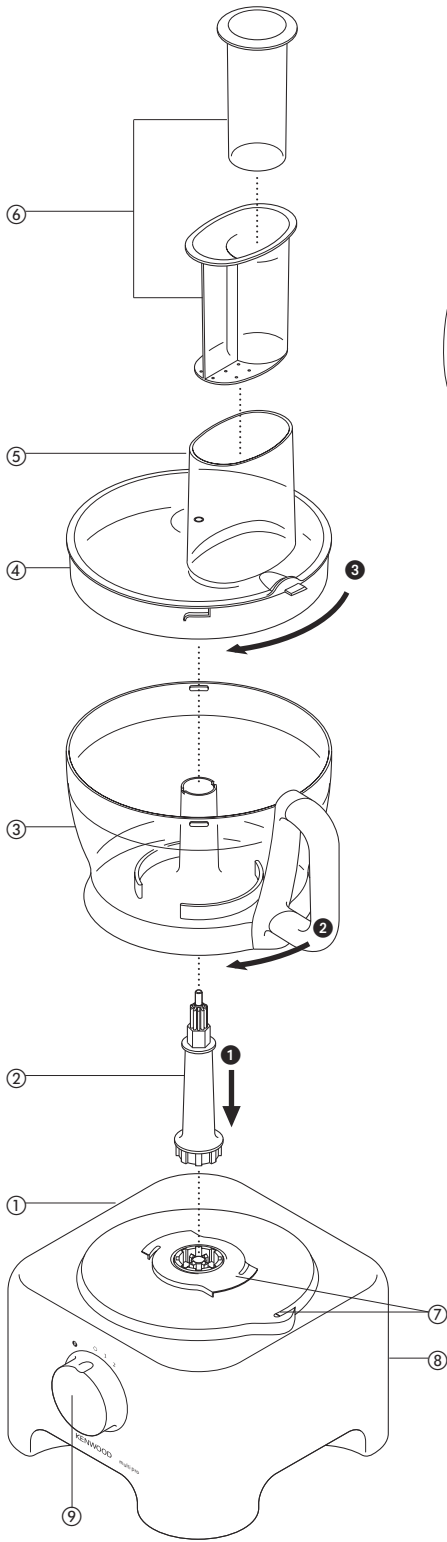
Italiano 26 - 31

Dansk 32 - 37

Svenska 38 - 43

Norsk 44 - 49

Suomi 50 - 55



before using your Kenwood appliance

- Read these instructions carefully and retain for future reference.
- Remove all packaging and any labels.

safety

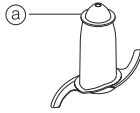
- The blades and discs are very sharp, handle with care. **Always hold the knife blade by the finger grip (a) at the top, away from the cutting edge, both when handling and cleaning.**
- Do not lift or carry the processor by the handle - or the handle may break resulting in injury.
- Always remove the knife blade before pouring contents from the bowl.
- Keep hands and utensils out of the processor bowl and liquidiser jug whilst connected to the power supply.
- Switch off and unplug:
 - before fitting or removing parts
 - after use
 - before cleaning
- Never use your fingers to push food down the feed tube. Always use the pusher/s supplied.
- Before removing the lid from the bowl or liquidiser/mill from the power unit:-
 - switch off;
 - wait until the attachment/blades have completely stopped;
 - be careful not to unscrew the liquidiser jug or mill from the blade unit.
- Allow all liquids to cool to room temperature before placing them in the liquidiser.
- Do not use the lid to operate the processor, always use the on/off speed control.
- **This machine will be damaged and may cause injury if the interlock mechanism is subjected to excessive force.**
- Never use an unauthorised attachment.
- Never leave the machine on unattended.
- Never use a damaged machine. Get it checked or repaired: see 'service'.
- Never let the power unit, cord or plug get wet.
- Don't let excess cord hang over the edge of a table or worktop or touch hot surfaces.
- Do not exceed the maximum capacities stated.
- Do not let infirm people use the appliance without supervision.
- Do not let children use or play with the appliance.
- Only use the appliance for its intended domestic use. Kenwood will not accept any liability if the appliance is subject to improper use, or failure to comply with these instructions.

before plugging in

- Make sure your electricity supply is the same as the one shown on the underside of your machine.
- This appliance complies with European Economic Community Directive 89/336/EEC.

before using for the first time

- 1 Remove all packaging including the plastic blade covers from the knife blade. **Take care the blades are very sharp.** These covers should be discarded as they are to protect the blade during manufacture and transit only.
- 2 Wash the parts see 'cleaning'
- 3 Push excess cord into the back of the machine.



key

processor

- ① power unit
- ② detachable drive shaft
- ③ bowl
- ④ lid
- ⑤ feed tube
- ⑥ pushers
- ⑦ safety interlocks
- ⑧ cord storage
- ⑨ speed control

liquidiser

- ⑩ filler cap
- ⑪ lid
- ⑫ jug
- ⑬ sealing ring
- ⑭ blade unit

additional attachments

Not all of the attachments listed below may be included with your food processor. Attachments are dependent upon the model variant.

- ⑮ knife blade
- ⑯ dough tool
- ⑰ twin beater geared whisk
- ⑱ maxi-blend canopy
- ⑲ thick slicing/coarse shredding disc
- ⑳ thin slicing/fine shredding disc
- ㉑ fine (Julienne style) chipper disc
- ㉒ rasping disc
- ㉓ geared citrus press
- ㉔ mill
- ㉕ mini processor bowl
- ㉖ KENSTORE™ attachments carousel
- ㉗ spatula

choosing a speed for all functions

Tool/Attachment	Function	Speed	Maximum Capacities
Knife Blade	One Stage Cake Mix	1 – 2	1.5Kg/3lb 5oz Total Wt 340g/12oz Flour Wt
	Pastry - rubbing fat into flour	2	
	Adding water to combine pastry ingredients	1 – 2	600g/1lb 6oz Meat
	Chopping/pureeing/pates	2	
Knife Blade with maxi-blend canopy	Soups – start at a low speed and move up to 2	1 – 2	1.5 litres/2pts 12fl. oz
Whisk	Egg Whites	2	6 Egg Whites
	Egg & sugar for fatless sponges	2	
	Cream	1 – 2	500 mls
Dough tool	Yeast mixes	2	500g/1lb 2oz
Discs – slicing/shredding/chipping	Firm food items such as carrots, hard cheese.	2	
	Softer items such as cucumbers, tomatoes	1	
Raspings disc	Parmesan cheese, Potatoes for German potato dumplings.	2	
Citrus Press	Citrus fruits	1	
Mini bowl and knife	All processing	2	200g/8 oz
Liquidiser	All processing	2	1.5 litres/2pts 12fl.oz
Mill	All processing	2	

to use your food processor

- 1 Fit the detachable shaft onto the power unit ❶.
- 2 Then fit the bowl. Place the handle towards the back and turn clockwise until it locks ❷.
- 3 Fit an attachment over the drive shaft.
 - Always fit the bowl and attachment onto the machine before adding ingredients.
- 4 Fit the lid ❸ - ensuring the top of the drive shaft locates into the centre of the lid.
 - **Do not use the lid to operate the processor, always use the on/off control.**
- 5 Switch on and select a speed.
 - **The processor won't work if the bowl and lid are fitted incorrectly.**
 - Use the pulse (P) for short bursts. The pulse will operate for as long as the control is held in position.
- 6 Reverse the above procedure to remove the lid, attachments and bowl.
 - **Always switch off before removing the lid. important**
 - Your processor is not suitable for crushing or grinding coffee beans, or converting granulated sugar to caster sugar.
 - When adding almond essence or flavouring to mixtures avoid contact with the plastic as this may result in permanent marking.

to use your liquidiser

- 1 Fit the sealing ring ❸ into the blade unit ❹ - ensuring the seal is located correctly. **Leaking will occur if the seal is damaged or not fitted correctly.**
 - 2 Screw the jug onto the blade unit.
 - 3 Put your ingredients into the jug.
 - 4 Put the filler cap in the lid, then turn.
 - 5 Turn the lid in a clockwise direction to lock onto the jug.
 - 6 Place the liquidiser onto the power unit and turn to lock ❷.
 - 7 Select a speed or use the pulse control.
 - **Allow all liquids to cool to room temperature before placing them in the liquidiser.**
- hints**
- When making mayonnaise, put all the ingredients, except the oil into the liquidiser. Then with the machine running, pour the oil into the filler cap and let it run through.
 - Thick mixtures, eg pates and dips, may need scraping down. If it's difficult to process, add more liquid.
 - When crushing ice use the pulse in short bursts.
 - To ensure the long life of your liquidiser, never run it for longer than 60 seconds. Switch off as soon as you've got the right consistency.
 - Don't process spices - they may damage the plastic.
 - The machine won't work if the liquidiser is fitted incorrectly.
 - Don't put dry ingredients into the liquidiser before switching on. If necessary, cut them into pieces; remove the filler cap; then with the machine running, drop them through one by one.
 - Don't use the liquidiser as a storage container. Keep it empty before and after use.
 - Never blend more than 1½ litres (2pts 12fl.oz) - less for frothy liquids like milkshakes.

using the attachments

15 knife blade/16 dough tool

The knife blade is the most versatile of all the attachments. The length of the processing time will determine the texture achieved. For coarser textures use the pulse control.

Use the knife blade for cake and pastry making, chopping raw and cooked meat, vegetables, nuts, pate, dips, pureeing soups and to also make crumbs from biscuits and bread. It can also be used for yeasted dough mixes if the dough tool is not supplied.

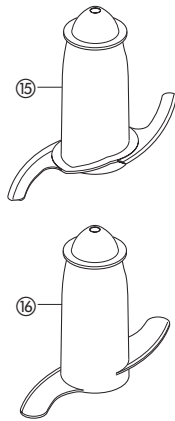
Use the dough tool for yeasted mixes.

hints knife blade

- Cut food such as meat, bread, vegetables into cubes approximately 2cm/3/4in before processing.
- Biscuits should be broken into pieces and added down the feed tube whilst the machine is running.
- When making pastry use fat straight from the fridge cut into 2cm/3/4in.cubes.
- Take care not to over-process.

dough tool

- Place the dry ingredients in the bowl and add the liquid down the feed tube whilst the machine is running. Process until a smooth elastic ball of dough is formed this will take 60 - 90 secs.
- Re-knead by hand only. Re-kneading in the bowl is not recommended as it may cause the processor to become unstable.

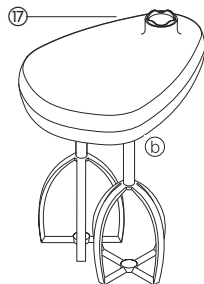


17 twin beater geared whisk

Use for light mixtures only eg egg whites, cream, evaporated milk and for whisking eggs and sugar for fatless sponges. Heavier mixtures such as fat and flour will damage it.

using the whisk

- 1 Fit the drive shaft and bowl onto the power unit.
- 2 Push each beater securely into the drive head 16.
- 3 Fit the whisk by carefully turning until it drops over the drive shaft.
- 4 Add the ingredients.
- 5 Fit the lid - ensuring the end of the shaft locates into the centre of the lid.
- 6 Switch on.



important

- The whisk is not suitable for making one-stage cakes or creaming fat and sugar as these mixes will damage it. Always use the knife blade for cake making.

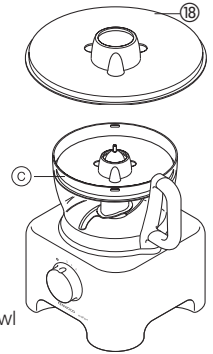
hints

- Best results are obtained when the eggs are at room temperature.
- Ensure the bowl and whisks are clean and free from grease before whisking.

18 maxi-blend canopy

When blending liquids, use the maxi-blend canopy with the knife blade. It allows you to increase the liquid processing capacity from 1 litre to 1.5 litres, prevents leaking and improves the chopping performance of the blade.

- 1 Fit the drive shaft and bowl onto the power unit.
- 2 Fit the knife blade.
- 3 Add ingredients to be processed.
- 4 Fit the canopy over the top of the blade ensuring it sits on the ledge inside the bowl 18.
- 5 Fit the lid and switch on.



slicing/shredding discs

reversible slicing/shredding discs - thick 19, thin 20

Use the shredding side for cheese, carrots, potatoes and foods of a similar texture.

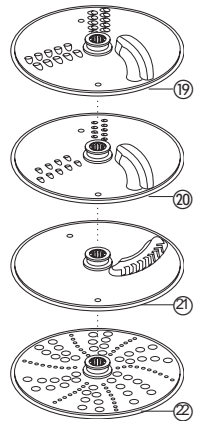
Use the slicing side for cheese, carrots, potatoes, cabbage, cucumber, courgette, beetroot and onions.

fine (Julienne style) chipper disc 21

Use to cut: potatoes for Julienne style French fries; firm ingredients for salads, garnishes, casseroles and stir fries (eg carrot, swede, courgette, cucumber).

rasping disc 22

Grates Parmesan cheese and potatoes for German potato dumplings.

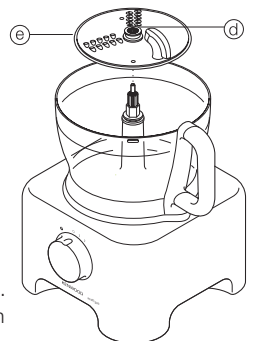


safety

- **Never remove the lid until the cutting disc has completely stopped.**
- **Handle the cutting discs with care - they are extremely sharp.**

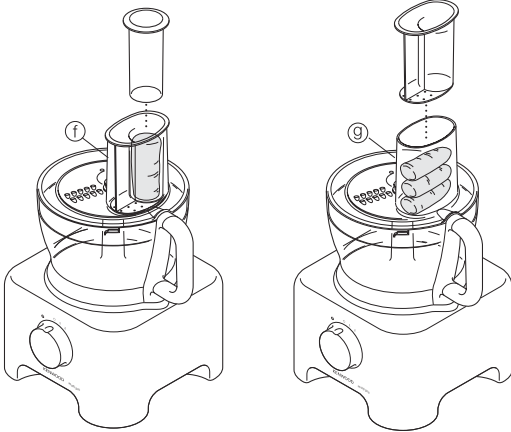
to use the cutting discs

- 1 Fit the drive shaft and bowl onto the power unit.
- 2 Holding by the centre grip 23, place the disc onto the drive shaft with the appropriate side uppermost 24.
- 3 Fit the lid.
- 4 Choose which size feed tube you want to use. The pusher contains a smaller feed tube for processing individual items or thin ingredients. To use the small feed tube - first put the large pusher inside the feed tube. To use the large feed tube - use both pushers together.
- 5 Put the food in the feed tube.
- 6 Switch on and push down evenly with the pusher - **never put your fingers in the feed tube.**



hints

- Use fresh ingredients
- Don't cut food too small. Fill the width of the large feed tube fairly full. This prevents the food from slipping sideways during processing. Alternatively use the small feed tube.
- When using the chipper disc, place ingredients horizontally.
- When slicing or shredding: food placed upright ① comes out shorter than food placed horizontally ②.
- There will always be a small amount of waste on the plate or in the bowl after processing.



⑳ citrus press

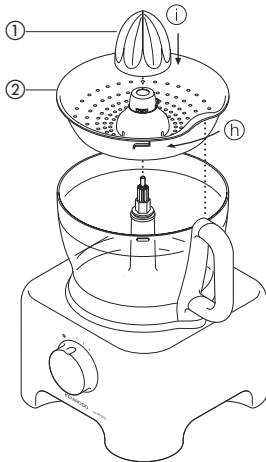
Use the citrus press to squeeze the juice from citrus fruits (eg oranges, lemons, limes and grapefruits).

- ① cone
- ② sieve

to use the citrus press

- 1 Fit the drive shaft and bowl onto the power unit.
- 2 Fit the sieve into the bowl - ensuring the sieve handle is locked into position directly over the bowl handle (h).
- 3 Place the cone over the drive shaft turning until it drops all the way down ①.
- 4 Cut the fruit in half. Then switch on and press the fruit onto the cone.

- **The citrus press will not operate if the sieve is not locked correctly.**



㉑ mill

Use the mill for milling herbs, nuts and coffee beans.

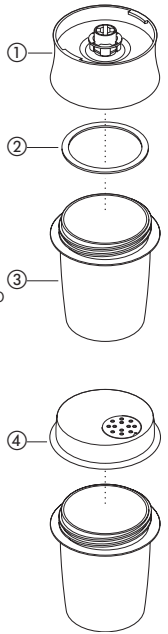
- ① blade unit
- ② sealing ring
- ③ jar
- ④ sprinkler lid

safety

- Never fit the blade unit to your machine without the jar fitted.
- Never unscrew the jar while the mill is fitted to your machine.
- Don't touch the sharp blades. Keep the blade unit away from children.
- Never remove the mill until the blades have completely stopped.

important

- To ensure long life of your mill, never run for longer than 30 seconds. Switch off as soon as you've got the right consistency.
- Don't process spices - they may damage the plastic.
- The machine won't work if the mill is fitted incorrectly.
- Use for dry ingredients only.



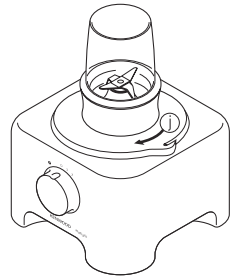
to use your mill

- 1 Put your ingredients into the jar. Fill it no more than half full.
- 2 Fit the sealing ring into the blade unit.
- 3 Turn the blade unit upside down. Lower it into the jar, blades down.
- 4 Screw the blade unit onto the jar until it is finger tight.
- 5 Place the mill onto the power unit and turn to lock ①.
- 6 Switch on to maximum speed or use the pulse control.
- 7 After milling, you can replace the blade unit with the sprinkler lid and shake out your food.

- The sprinkler lid is not airtight.

hints

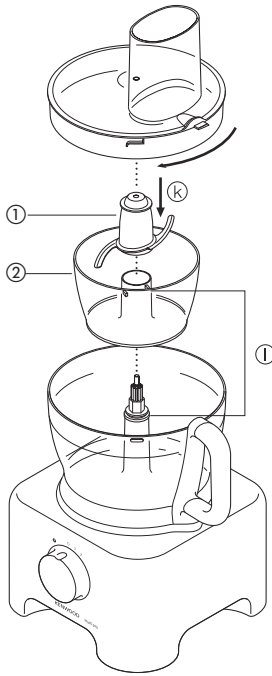
- Herbs are best milled when clean and dry.



25 mini processor bowl

Use the mini processor bowl to chop herbs and process small quantities of ingredients e.g. meat, onion, nuts, mayonnaise, vegetables, purées, sauces and baby food.

- ① mini processor knife blade
- ② mini processor bowl



to use the mini processor bowl

- 1 Fit the drive shaft and bowl onto the power unit.
- 2 Fit the mini processor bowl - ensuring the ribs on the inside of the mini bowl chimney align with the slots in the main bowl chimney ①.
- 3 Place the knife blade over the drive shaft (k).
- 4 Add the ingredients to be processed.
- 5 Fit the lid and switch on.

safety

- Never remove the lid until the knife blade has completely stopped.
- The knife blade is very sharp - always handle with care.

important

- Don't process spices – they may damage the plastic.
- Don't process hard food such as coffee beans, ice cubes or chocolate – they may damage the blade.

hints

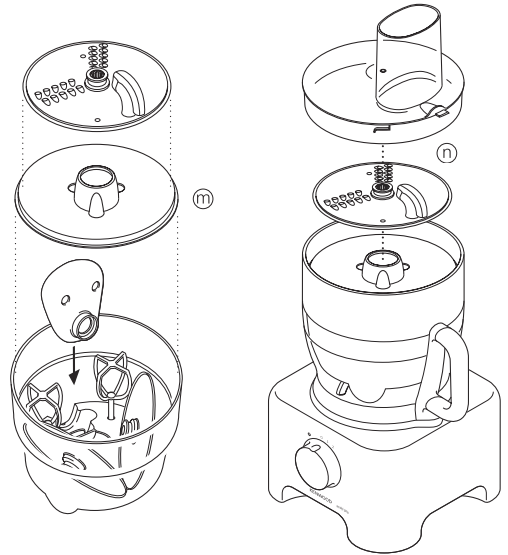
- Herbs are best chopped when clean and dry.
- Always add a little liquid when blending cooked ingredients to make baby food.
- Cut foods such as meat, bread, vegetables into cubes approximately 1-2 cm (½ – ¾ in) before processing.
- When making mayonnaise add the oil down the feed tube.

26 KENSTORE™ attachments carousel

Your food processor is supplied with an attachment storage carousel that fits inside the bowl.

to use the storage carousel

- 1 Fit the knife blade to the bowl.
- 2 Then fit the whisk, discs and canopy into the carousel (m).
- 3 Fit the carousel over the knife blade and place the processor lid on top (n).

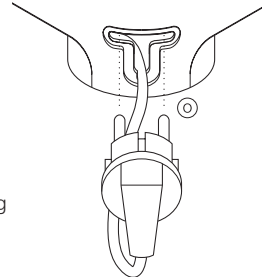


care & cleaning

- Always switch off and unplug before cleaning.
- Handle the blades and cutting discs with care - they are extremely sharp.
- Some foods may discolour the plastic. This is perfectly normal and won't harm the plastic or affect the flavour of your food. Rub with a cloth dipped in vegetable oil to remove the discolouration.

power unit

- Wipe with a damp cloth, then dry. Ensure that the interlock area is clear of food debris.
- Store excess cord in the storage area at the back of the machine (o).



liquidiser/mill

- 1 Empty the jug/jar before unscrewing it from the blade unit.
- 2 Wash the jug/jar by hand.
- 3 Remove and wash the seals.
- 4 Don't touch the sharp blades – brush them clean using hot soapy water, then rinse thoroughly under the tap. **Don't immerse the blade unit in water.**
- 5 Leave to dry upside down.

twin beater geared whisk

- Detach the beaters from the drive head by gently pulling them free. Wash in warm soapy water.
- Wipe the drive head with a damp cloth, then dry.

Do not immerse the drive head in water.

all other parts

- Wash by hand, then dry.
- Alternatively they can be washed on the top rack of your dishwasher. A short low temperature programme is recommended.

service & customer care

- If the cord is damaged it must, for safety reasons, be replaced by Kenwood or an authorised Kenwood repairer.

If you need help with:

- using your machine
- servicing or repairs

Contact the shop where you brought the food processor.

Nederlands

Vouw voor het lezen a.u.b. de voorpagina met illustraties uit

voordat u uw Kenwood-apparaat gebruikt:

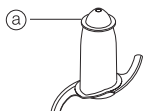
- Lees deze instructies zorgvuldig door en bewaar ze voor toekomstig gebruik.
- Verwijder alle verpakking en labels.

veiligheid

- De messen en schijven zijn scherp: u dient ze voorzichtig te behandelen. **Houd het snijvlak altijd bij de vingergreep vast**
Ⓐ **aan de bovenzijde, van de snijkant af, zowel bij het werken als het schoonmaken.**
- De keukenmachine niet aan het handvat optillen of meedragen – het handvat kan afbreken met persoonlijk letsel als gevolg.
- Voordat u de inhoud uit de kom giet, dient u altijd eerst het mes te verwijderen.
- Haal altijd de stekker uit het stopcontact, voordat u met uw handen of gereedschappen in de kom van de machine of de blenderkan komt.
- Zet het apparaat uit en trek de stekker uit het stopcontact:
 - alvorens onderdelen aan te brengen of te verwijderen
 - na gebruik
 - voor het schoonmaken
- Gebruik nooit uw vingers om voedsel in de invoerkoker te duwen. Gebruik altijd de bijgeleverde stamper.
- Doe het volgende, voordat u het deksel van de kom of de mengbeker/molen van het motorblok verwijdert:
 - zet het apparaat uit;
 - wacht totdat de hulpstukken / messen helemaal tot stilstand zijn gekomen;
 - Pas ervoor op dat u niet de mengbeker of molen van de eenheid met snijmes schroeft.
- Laat alle vloeistoffen tot kamertemperatuur afkoelen voor u ze in de blender doet.
- Gebruik nooit het deksel om de keukenmachine te bedienen, maar altijd de aan/uit-knop.
- **Deze machine wordt beschadigd en kan letsel veroorzaken wanneer er te veel kracht wordt uitgeoefend op het veiligheidsmechanisme.**
- Gebruik nooit een niet bij het apparaat behorend hulpstuk.
- De machine mag nooit op de stroom aangesloten zijn als er niemand bij is.
- Gebruik nooit een beschadigde machine. Laat een beschadigd apparaat nakijken of repareren: zie onder 'service'.
- Laat het motorhuis, het netsnoer of de stekker nooit nat worden.
- Laat het snoer nooit over de rand van een tafel of werkblad hangen of in aanraking komen met hete oppervlakken.
- De aangegeven maximum hoeveelheden niet overschrijden.
- Lichamelijk of verstandelijk zwakke personen mogen dit apparaat nooit zonder toezicht gebruiken.
- Laat kinderen nooit het apparaat bedienen of er mee spelen.
- Gebruik het apparaat alleen voor het huishoudelijke gebruik waarvoor het is bedoeld. Kenwood kan niet aansprakelijk worden gesteld in het geval dat het apparaat niet correct is gebruikt, of waar deze instructies niet worden opgevolgd.

alvorens het apparaat aan te sluiten

- Controleer of de netspanning overeenkomt met het op de onderkant van het apparaat aangegeven voltage.
- Dit apparaat voldoet aan de richtlijn van de Europese Economische Gemeenschap 89/336/EEG.



voordat u het apparaat voor het eerst gebruikt

- 1 Verwijder al het verpakkingsmateriaal, inclusief de kunststof beschermhoezen van de messen. **Wees voorzichtig, de messen zijn erg scherp.** Deze hoezen zijn alleen bedoeld om de messen tijdens de fabricage en het transport te beschermen; u kunt deze weggooien.
- 2 Reinig de onderdelen: zie onder 'reinigen'.
- 3 Berg het overbodige snoer in de speciale opbergruimte aan de achterkant van het apparaat op.

sleutel

keukenmachine

- ① motorhuis
- ② losmaakbare aandrijfas
- ③ kom
- ④ deksel
- ⑤ invoerkoker
- ⑥ stampers
- ⑦ veiligheidsvergrendelingen
- ⑧ opbergvak snoer
- ⑨ snelheidsknop

blender

- ⑩ vulkap
- ⑪ deksel
- ⑫ kan
- ⑬ afsluitring
- ⑭ messeneenheid

extra hulpstukken

Het kan zijn dat uw foodprocessor niet met alle hieronder genoemde hulpstukken geleverd wordt. De selectie aan hulpstukken is afhankelijk van het model.

- ⑮ mes
- ⑯ deeghaak
- ⑰ dubbele metalen garde met snelheidsregeling
- ⑱ maxi mengkap
- ⑲ schijf voor dik snijden/grof raspen
- ⑳ schijf voor dun snijden/fijn raspen
- ㉑ schijf voor fijnhakken (julienne)
- ㉒ raspschijf
- ㉓ citroenpers met snelheidsregeling
- ㉔ molen
- ㉕ miniwerkkom
- ㉖ KENSTORE™ hulpstukcarroussel
- ㉗ spatel

de juiste snelheden voor alle functies

Instrument/hulpstuk	Functie	Snelheid	Maximum capaciteit
Mes	Instant cakemix Gebaksdeeg – boter met bloem mengen Water toevoegen om ingrediënten te mengen Hakken/pureeren/paté's	1 – 2 2 1 – 2 2	1,5 kg totaalgewicht 340 gr bloemgewicht 600 gr vlees
Mes met maxi mengkap	Soep – begin op lage snelheid en verhoog tot 2	1 – 2	1,5 liter
Garde	Eiwit Ei & suiker voor vetloze taarten Slagroom	2 2 1 – 2	het wit van 6 eieren 500 ml
Deeghaak	Mengsels met gist	2	600 gr
Schijven – snijden/schaven/hakken	Harde etenswaren als wortelen, harde kaas Zachtere etenswaren als komkommer, tomaten	2 1	
Raspschijf	Parmezaanse kaas, aardappelen voor knoedels	2	
Citroenpers	Citrusvruchten	1	
Minikom & mes	Alle functies	2	200 gr
Blender	Alle functies	2	1,5 liter
Molen	Alle functies	2	

gebruik van uw keukenmachine

- Plaats de afneembare as op het motorblok ❶.
- Breng vervolgens de kom aan. Richt de handgreep eerst naar achteren en draai deze vervolgens met de klok mee totdat deze vastklikt ❷.
- Plaats een hulpstuk op de aandrijfas.
 - Breng altijd eerst de kom en het hulpstuk aan op het apparaat voordat u ingrediënten toevoegt.
- Breng het deksel aan ❸ - verzeker u ervan dat de bovenkant van de aandrijfas zich in het midden van het deksel bevindt.
 - Gebruik nooit het deksel om de keukenmachine te bedienen, maar altijd de aan/uit snelheidsregelaar.**
- Schakel het apparaat aan en selecteer een snelheid.
 - De keukenmachine werkt niet wanneer de kom en het deksel niet correct zijn aangebracht.**
 - Gebruik de stootfunctie (P) om korte stroomstoten te geven. Als u de stroomstoot wilt stoppen, laat u de knop los.
- Volg de bovenstaande procedure in omgekeerde volgorde om het deksel, de hulpstukken en de kom te verwijderen.
 - Zet het apparaat altijd uit voordat u het deksel verwijdert.**
 - belangrijk**
 - Deze keukenmachine is niet geschikt voor het persen of malen van koffiebonen of voor het vermalen van kristalsuiker tot basterdsuiker.
 - Wanneer u amandelessence of -smaakstof aan mengsels toevoegt, dient u contact met de kunststof te vermijden, aangezien dit permanente vlekken kan geven.

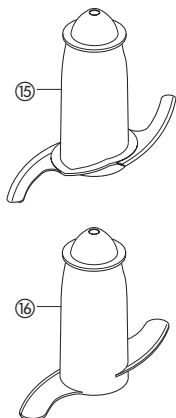
de blender gebruiken

- Plaats de afsluitring ❸ over de roterende mesjes ❹ – zorg ervoor dat de afsluitring goed is geplaatst.
 - Als de afsluitring niet goed is geïnstalleerd, zal de machine lekken.**
- Schroef de maatbeker op het onderstel.
- Giet de ingrediënten in de maatbeker.
- Plaats de vuldop in het deksel en geef hem een draai.
- Draai het deksel naar rechts om hem op de maatbeker te vergrendelen.
- Plaats de blender op het motorelement en draai hem vast ❹.
- Kies een snelheid of gebruik de stroomstootknop.
 - Laat alle vloeistoffen tot kamertemperatuur afkoelen voor u ze in de blender doet.**
 - tips**
 - Wanneer u mayonaise maakt, doet u alle ingrediënten behalve de olie in de blender. Terwijl de machine aan staat, giet u de olie door de vuldop in de kom.
 - Dikke mengsels, zoals paté's en dipsauzen moeten soms van de zijkant van de kom af geschrapt worden. Als de mengeling met moeite wordt gemengd, voeg dan wat meer vloeistof toe.
 - Wanneer u ijs wilt vergruizen, gebruikt u korte stroomstoten.
 - Als u wilt dat uw blender lang mee gaat, zet hem dan nooit langer dan 60 seconden aan. Zet de blender uit zodra u de juiste dikte hebt verkregen.
 - Doe geen specerijen in de keukenmachine – ze kunnen het plastic beschadigen.
 - De machine functioneert niet als de blender onjuist is geïnstalleerd.
 - Doe geen droge ingrediënten in de blender voordat u hem aan zet. Snij ze zo nodig in stukjes; verwijder de vuldop en terwijl de machine aan staat, laat u ze één voor één door de vuldop vallen.
 - Gebruik de blender niet als een opslagcontainer. Houd de blender voor en na gebruik leeg.
 - Meng nooit meer dan 1½ liter vloeistof – minder voor schuimende vloeistoffen, zoals milkshakes.

het gebruik van de hulpstukken

15 snijmes/16 deeggereedschap

Het snijmes is het meest veelzijdige van alle hulpstukken. De verwerkingstijd bepaalt de verkregen structuur. Gebruik de pulsknop voor een grovere structuur. Gebruik het snijmes voor het bakken van taarten en gebak, het hakken van rauw en gekookt vlees, groenten, noten, paté, dipsauzen, gepureerde soepen en verder om biscuits en brood te verkruiden. Het kan ook worden gebruikt om gegiste deegmengsels te maken indien het deeggereedschap niet is bijgeleverd. Gebruik het deeggereedschap voor gegiste deegmengsels.



nuttige tips **snijmes**

- Snijd producten zoals vlees, brood en groenten in blokjes van ongeveer 2 cm voor verwerking.
- Biscuits moeten in stukken worden gebroken en in de invoerkoker ingebracht terwijl de machine draait.
- Bij het bereiden van gebak, gebruik vet dat direct uit de ijskast in blokjes van 2 cm is gesneden.
- Zorg ervoor de producten niet te fijn te bewerken.

deeg gereedschap

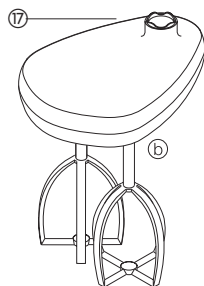
- Plaats de droge ingrediënten in de kom en giet de vloeistof in de invoerkoker terwijl de machine draait. Ga door totdat er zich een elastische deegbal heeft gevormd. Dit duurt 60 - 90 seconden.
- Kneed het opnieuw, alleen met de hand. Het wordt niet aanbevolen om het herkneden in de kom uit te voeren aangezien de keukenmachine daar instabiel van kan worden.

17 aangedreven dubbele garde

Gebruik voor de lichte mengsels en het kloppen van eieren bijvoorbeeld alleen eiwitten, room, poedermelk en suiker voor vetvrije biscuits. Zwaardere mengsels zoals vet en bloem beschadigen de garde.

het gebruik van de garde

- 1 Bevestig de aandrijfjas en de kom op het motorhuis.
- 2 Druk iedere menger stevig in de aandrijfkop (b).
- 3 Breng de garde aan door deze zorgvuldig te draaien totdat zij over de aandrijfjas valt.
- 4 Voeg de ingrediënten toe.
- 5 Breng het deksel aan - controleer of de bovenkant van de aandrijfjas zich in het midden van het deksel bevindt.
- 6 Zet het apparaat aan.



belangrijk

- De garde is niet geschikt voor het mengen van instant cakemix of boter en suiker, aangezien hierdoor de garde beschadigd raakt. Gebruik altijd het mes voor de bereiding van cakes en taarten.

handige tips

- De beste resultaten worden verkregen wanneer de eieren op kamertemperatuur zijn.
- Controleer of de kom en de gardes schoon en vetvrij zijn voordat u gaat kloppen.

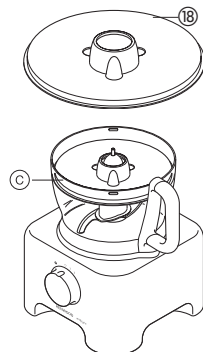
18 blenderkap

Gebruik de blenderkap en het snijmes bij het mengen van vloeistoffen. Hiermee kunt u de capaciteit voor het verwerken van vloeistoffen vergroten van 1 liter tot 1,5 liter, lekken voorkomen en de hakprestaties van het mes vergroten.

- 1 Bevestig de aandrijfjas en de kom aan het motorhuis.
- 2 Plaats het snijmes.
- 3 Voeg de te bewerken ingrediënten toe.
- 4 Plaats de kap over de bovenzijde van het mes en controleer dat deze rust op de rand aan de binnenkant van de kom (c).

Druk niet op de kap, houd deze vast aan de centrale handgreep.

- 5 Plaats het deksel en zet het apparaat aan.



schijven voor snijden/raspen

omkeerbare schijven voor snijden/raspen - dik 19, dun 20

Gebruik de raspzijde voor kaas, wortels, aardappels en producten met een vergelijkbare structuur.

Gebruik de snijzijde voor kaas, wortels, aardappels, kool, courgette, bieten en uien.

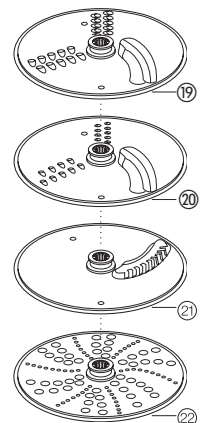
schijf voor fijn hakken (Julienne)

21

Gebruik: aardappels snijden voor frieten à la Julienne; stevige ingrediënten voor salades, garneringen, stoofschotels en roerbakgroenten (bv. wortels, koolraap, courgette, komkommer).

raspschijf 22

Raspt Parmezaanse kaas en aardappelen voor Duitse aardappelknodels.

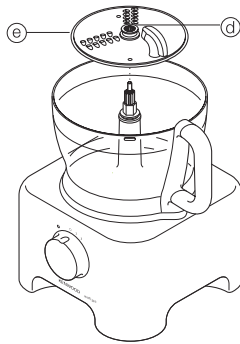


veiligheid

- **Verwijder het deksel nooit voordat de snijschijf geheel tot stilstand is gekomen.**
- **De snijschijven zijn scherp - u dient ze voorzichtig te behandelen.**

gebruik van de snijschijven

- 1 Bevestig de aandrijfas en de kom op het motorhuis.
- 2 Houd de schijf bij de handgreep in het midden vast (d) en plaats de schijf op de aandrijfas met de juiste zijde naar boven (e).
- 3 Breng het deksel aan.
- 4 Kies het formaat invoerkoker dat u wilt gebruiken. De stamper bevat een kleinere invoerkoker voor het verwerken van losse producten of dunne ingrediënten.



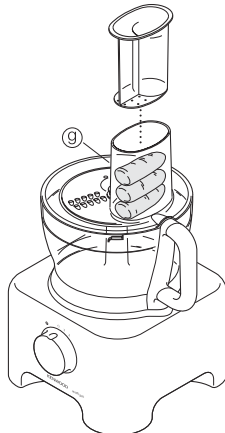
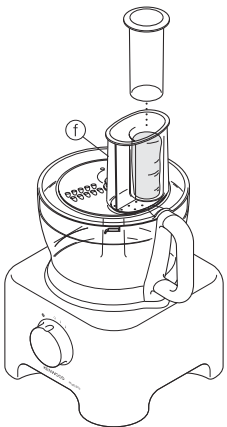
Om de kleine invoerkoker te gebruiken - plaatst u eerst de grote stamper in de invoerkoker.

Om de grote invoerkoker te gebruiken - gebruikt u beide stampers tegelijk.

- 5 Plaats het voedsel in de invoerkoker.
- 6 Zet het apparaat aan en druk de stamper gelijkmatig naar beneden - **steek nooit uw vingers in de invoerkoker.**

nuttige tips

- Gebruik verse ingrediënten
- Snij het voedsel niet te klein. Vul de grote invoerkoker behoorlijk en over de hele breedte. Dit voorkomt dat het voedsel opzij glijdt tijdens de verwerking. U kunt ook de kleine invoerkoker gebruiken.
- Wanneer u de hakschijf gebruikt, plaats de ingrediënten dan horizontaal.
- Bij het snijden of raspens: verticaal geplaatste producten (f) worden korter gesneden dan horizontaal geplaatste producten (g).
- Er zal na verwerking altijd een kleine hoeveelheid afval overblijven op de plaat of in de kom.



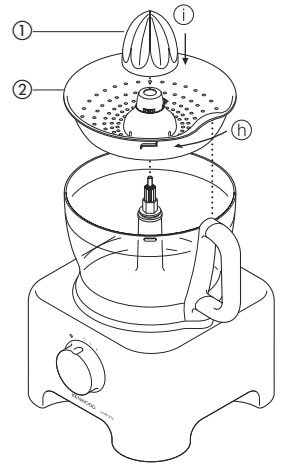
23 citruspers

Gebruik de citruspers om het sap van citrusvruchten uit te persen (b.v. sinaasappels, citroenen, limoenen en grapefruits).

- 1 kegel
- 2 zeef

het gebruik van de citruspers

- 1 Bevestig de aandrijfas en de kom op het motorhuis.
- 2 Plaats de zeef in de kom - verzeker u ervan dat de handgreep van de zeef direct boven de handgreep van de kom is vastgezet (h).
- 3 Plaats de kegel over de aandrijfas totdat deze geheel naar beneden valt (i).
- 4 Snijd het fruit in tweeën. Zet het apparaat vervolgens aan en druk het fruit op de kegel.

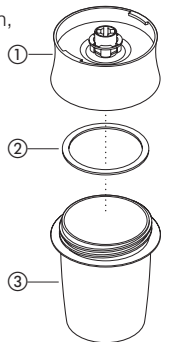


- **De citruspers werkt niet als de zeef niet correct is vastgezet.**

24 molen

Gebruik de molen voor het malen van kruiden, noten en koffiebonen.

- 1 messeneenheid
- 2 afdichtring
- 3 pot
- 4 strooideksel

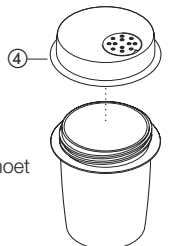


veiligheid

- Breng nooit de eenheid met snijmes op het apparaat aan zonder dat de beker is aangebracht.
- Schroef de pot nooit los terwijl de multimolen op uw apparaat is aangebracht.
- Raak de scherpe messen niet aan. Houd de messeneenheid uit de buurt van kinderen.
- Verwijder de molen nooit voordat de messen helemaal tot stilstand zijn gekomen.

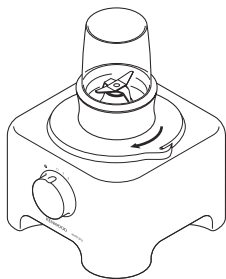
belangrijk

- Om te zorgen dat de molen lang meegaat, moet u hem nooit langer dan 30 seconden laten draaien. Zet hem uit, zodra u de juiste consistentie heeft bereikt.
- Verwerk geen kruiden - deze kunnen het plastic beschadigen.
- Het apparaat zal niet werken, als de molen verkeerd is aangebracht.
- Uitsluitend gebruiken voor droge ingrediënten.



het gebruik van uw molen

- 1 Doe uw ingrediënten in de pot. Vul de pot maximaal tot de helft.
 - 2 Plaats de afdichting in de messeneenheid.
 - 3 Zet de messeneenheid ondersteboven en laat deze met de messen naar beneden in de pot zakken.
 - 4 Schroef de messeneenheid op de pot tot hij losvast zit.
 - 5 Plaats de blender op het motorelement en draai hem vast ①.
 - 6 Zet de molen aan op de hoogste snelheid of gebruik de pulsregelaar.
 - 7 Na het malen kunt u de messeneenheid vervangen door de strooideksel en uw voedsel uit de pot schudden.
- De strooideksel is niet luchtdicht



tips

- Kruiden kunnen het best worden gemalen, als ze schoon en droog zijn.

②5 miniwerkkom

Gebruik de miniwerkkom om kruiden te hakken en om kleine hoeveelheden ingrediënten te mengen, zoals vlees, ui, noten, mayonaise, groente, puré, sauzen en babyvoeding.

- ① mes van miniwerkkom
- ② miniwerkkom

de miniwerkkom gebruiken

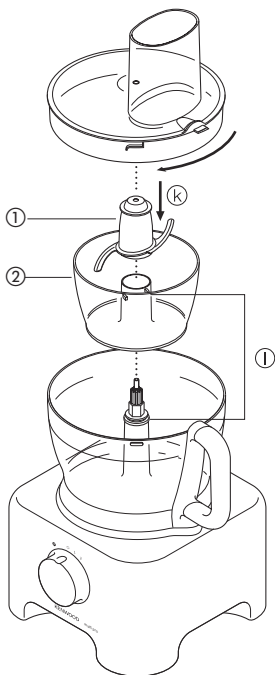
- 1 Plaats de aandrijfas en de kom op het motorelement.
- 2 Installeer de miniwerkkom – zorg dat de ribben aan de binnenkant van de minikompomp op één lijn liggen met de gleuven van de hoofdpijp ①.
- 3 Plaats het mes over de aandrijfas ②.
- 4 Voeg de ingrediënten toe die verwerkt moeten worden.
- 5 Plaats het deksel op de kom en zet de machine aan.

veiligheidsmaatregelen

- Verwijder het deksel nooit voordat het mes helemaal tot stilstand is gekomen.
- Het mes is erg scherp – ga er altijd voorzichtig mee om.

belangrijk

- Doe geen specerijen in de keukenmachine – ze kunnen het plastic beschadigen.
- Meng geen harde ingrediënten, zoals koffiebonen, ijsklontjes of chocolade – ze kunnen het mes beschadigen.



tips

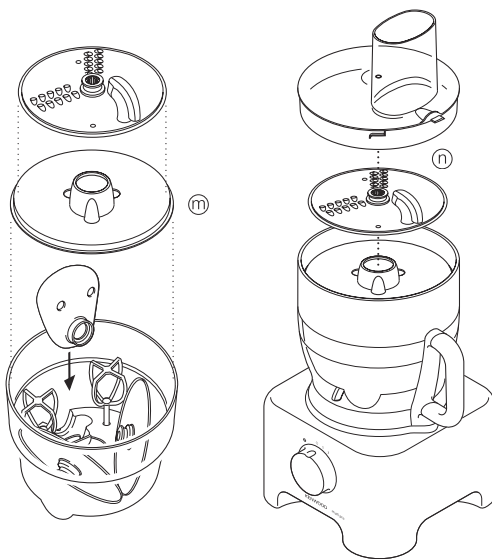
- Kruiden worden het beste verwerkt wanneer ze schoon en droog zijn.
- Voeg altijd een klein beetje vloeistof toe wanneer u gekookte ingrediënten tot babyvoeding mengt.
- Snij etenswaren als vlees, brood, groente in blokjes van 1-2 cm, voordat u ze gaat mengen.
- Wanneer u mayonaise maakt, giet u de olie door de toevoerbus.

②6 KENSTORE™ hulpstukcarrousel

Deze keukenmachine heeft een carrousel waarin de hulpstukken opgeborgen worden, die in de kom past.

de hulpstukcarrousel

- 1 Monteer het mes op de kom.
- 2 Plaats daarna de garde, de schijven en de mengkap in de carrousel ②.
- 3 Plaats de carrousel over het mes en zet het deksel daar weer bovenop ③.

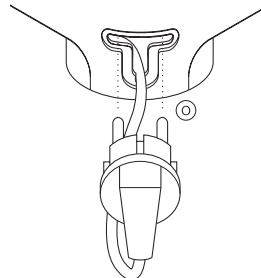


onderhoud & reiniging

- Zet het apparaat altijd uit en trek de stekker uit het stopcontact voordat u het gaat schoonmaken.
- Messen en snijschijven zijn zeer scherp - ga er voorzichtig mee om.
- Het plastic kan verkleuren door sommige voedselproducten. Dit is normaal, levert geen schade op aan het plastic en beïnvloedt de smaak van uw voedsel niet. U kunt deze verkleuringen verwijderen met een doek die licht bevochtigd is met plantaardige olie.

Motorhuis

- Veeg af met een vochtige doek, en droog dan af. Controleer of het veiligheidsmechanisme vrij is van voedselresten.
- Berg het overbodige snoer op in het opbergvak aan de achterzijde van het apparaat (⊙).



mengbeker/molen

- 1 Leeg de beker, voordat u hem van de eenheid met snijmes afschroeft.
- 2 Was de beker met de hand.
- 3 Verwijder en was de afdichtringen
- 4 Raak de scherpe messen niet aan - borstel ze schoon met heet water en zeep, en spoel ze zorgvuldig af onder de kraan.

Dompel de messeneenheid niet onder in water.

- 5 Laat het ondersteboven opdrogen.

aangedreven dubbele garde

- Maak de gardes los van de aandrijfkop door ze voorzichtig los te trekken. Was in warm water met zeep.
- Veeg de aandrijfkop af met een vochtige doek, en droog deze dan af. **Dompel de aandrijfkop niet onder in water.**

alle andere onderdelen

- Met de hand afwassen, en dan afdrogen.
- Ze kunnen ook op het bovenrek van uw afwasmachine gewassen worden. Aanbevolen wordt een kort programma op lage temperatuur te gebruiken.

service & ondersteuning

- Als het snoer beschadigd is, moet het om veiligheidsredenen door Kenwood of een door Kenwood erkende monteur worden vervangen.

Als u hulp nodig heeft bij het volgende:

- Het gebruik van uw apparaat
 - Service of reparatie
- Neem dan contact op met de winkel waar u het apparaat heeft gekocht.

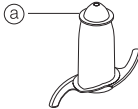
Français

Veillez déplier les illustrations de la première page

avant d'utiliser votre appareil Kenwood

- Lisez et conservez soigneusement ces instructions pour pouvoir vous y référer ultérieurement.
- Retirez tous les éléments d'emballage et les étiquettes.

sécurité

- Les lames et lamelles sont très tranchantes, manipulez-les avec précaution. **Tenez systématiquement la lame du couteau à l'emplacement prévu pour les doigts (a) à l'opposé du tranchant, durant la manipulation et le nettoyage.**
- 
- Ne pas soulever ou porter le robot par la poignée car celle-ci risque de casser et de provoquer des blessures.
 - Veillez toujours à retirer la lame avant de verser le contenu du bol.
 - Ne mettez jamais les mains dans le bol du robot ou dans le récipient du mélangeur quand ils sont branchés.
 - Eteignez et débranchez l'appareil :
 - avant l'assemblage ou le retrait d'accessoires
 - après chaque utilisation
 - avant le nettoyage
 - N'utilisez jamais vos doigts pour pousser la nourriture dans le tube d'alimentation. Utilisez toujours le poussoir fourni.
 - Avant de retirer le couvercle du bol ou le mélangeur/moulin du bloc-moteur :
 - éteignez l'appareil
 - assurez-vous que les accessoires / lames sont complètement arrêtés
 - Faites attention à ne pas dévisser le pichet du mélangeur ou le moulin et à les désolidariser ainsi de l'unité porte-lames.
 - Laissez tous les liquides refroidir à température ambiante avant de les placer dans le mixeur.
 - Ne vous servez pas du couvercle pour arrêter ou allumer le robot ; utilisez toujours le sélecteur de vitesse Marche / Arrêt.
 - **Veillez à ne pas forcer le mécanisme de verrouillage, l'appareil serait alors endommagé et pourrait provoquer des blessures.**
 - N'utilisez jamais un accessoire non autorisé.
 - Ne laissez jamais l'appareil sans surveillance quand il est en marche.
 - N'utilisez jamais un appareil endommagé. Faites-le vérifier ou réparer : voir la rubrique « service après-vente ».
 - Ne mouillez jamais l'unité moteur, le cordon d'alimentation ou la prise.
 - Ne laissez pas le cordon d'alimentation dépasser du bord d'une table, du plan de travail ou être en contact avec des surfaces chaudes.
 - Ne pas dépasser les capacités maximales indiquées.
 - Ne laissez pas les personnes handicapées se servir de l'appareil sans surveillance.
 - Ne laissez pas les enfants jouer avec l'appareil ni l'utiliser.
 - N'employez l'appareil qu'à la fin domestique prévue. Kenwood décline toute responsabilité dans les cas où l'appareil est utilisé incorrectement ou que les présentes instructions ne sont pas respectées.

avant le branchement

- Assurez-vous que le voltage est identique à celui indiqué sous votre appareil.
- Cet appareil est conforme aux directives 89/336 de la CEE.

avant la première utilisation

- 1 Otez tous les emballages y compris le cache lame en plastique du couteau. **Manipulez avec précautions les lames car elles sont extrêmement coupantes.** Ces emballages doivent être jetés, ils sont uniquement destinés à protéger la lame durant le processus de fabrication et de transport.
- 2 Lavez les différents éléments : voir la rubrique « Nettoyage »
- 3 Enroulez l'excès de cordon d'alimentation au dos de l'appareil.

robot

principal

- ① unité moteur
- ② manche amovible
- ③ bol
- ④ couvercle
- ⑤ tube d'alimentation
- ⑥ poussoirs
- ⑦ systèmes de verrouillage de sécurité
- ⑧ enrouleur
- ⑨ commande de la vitesse

mélangeur

- ⑩ bouchon
- ⑪ couvercle
- ⑫ pichet
- ⑬ joint d'étanchéité
- ⑭ support de lame

accessoires supplémentaires

Tous les accessoires mentionnés ci-dessous peuvent ne pas être fournis avec votre robot. Les accessoires dépendent du modèle de l'appareil.

- ⑮ lame tranchante
- ⑯ outil à pétrir
- ⑰ double batteur métallique
- ⑱ couvercle mixeur
- ⑲ disque pour lamelles épaisses/râpeuse (épais)
- ⑳ disque pour lamelles fines/râpeuse (fin)
- ㉑ disque à découper en fines lamelles (style Julienne)
- ㉒ disque grattoir
- ㉓ presse-agrumes à récipient
- ㉔ récipient à émulsionner
- ㉕ mini-bol
- ㉖ espace de rangement des accessoires KENSTORE™
- ㉗ spatule

sélection de la vitesse selon la fonction requise

Outil/accessoire	Fonction	Vitesse	Capacité maximale
Lame tranchante	Mélange pour préparations de gâteaux Pâte – mélange de la matière grasse avec la farine Ajout de l'eau à la pâte Emincer/mixer/pâtes	1 – 2 2 1 – 2 2	1,5 kg poids total 340 g farine 600 g viande
Lame tranchante avec couvercle mixeur	Soupes – démarrer à vitesse faible puis augmenter progressivement jusqu'à la vitesse 2	1 – 2	1,5 litres
Batteur	Blancs d'oeufs Oeuf et sucre pour gâteaux de Savoie sans matière grasse Crème	2 2 1 – 2	6 blancs d'oeufs 500 ml
Outil à pétrir	Mélange à base de levure	2	600 g
Disques – éminceur/râpeuse/fines lamelles	Aliments durs – carottes, fromages à pâtes dures Aliments plus mous – concombres, tomates	2 1	
Disque grattoir	Parmesan, pommes de terre pour les boulettes de pomme de terre	2	
Presse-agrumes	Agrumes	1	
Mini-bol et lame tranchante	Toutes les fonctions	2	200 g
Mixeur pour préparations liquides	Toutes les fonctions	2	1,5 litres
Récipient à émulsionner	Toutes les fonctions	2	

utilisation du robot

- Fixez l'axe d'entraînement amovible sur le bloc moteur ❶.
- Mettez le bol en place. Orientez la poignée vers l'arrière et tournez dans le sens des aiguilles d'une montre jusqu'à ce qu'il s'enclenche en position ❷.
- Ajoutez un accessoire sur le manche du robot.
 - Fixez toujours le bol et l'accessoire sur l'appareil avant d'y ajouter les ingrédients.
- Fixez le couvercle sur le bol ❸ - le haut du manche doit se trouver au centre du couvercle.
 - N'utilisez pas le couvercle pour faire fonctionner le robot ; utilisez toujours le sélecteur de vitesse Marche / Arrêt.**
- Allumez l'appareil et sélectionnez une vitesse.
 - Si le couvercle n'est pas fixé correctement, le robot ne fonctionnera pas.**
 - Utilisez le bouton de mélange intermittent Pulse (P). Pour un fonctionnement prolongé de cette commande, laissez en position P.
- Procédez de façon inverse pour retirer le couvercle, les accessoires et le bol.
 - Eteignez toujours l'appareil avant de retirer le couvercle. important**
 - Votre robot n'est pas conçu pour concasser ou mouler des grains de café ou transformer du sucre cristallisé en sucre en poudre.
 - Si vous ajoutez de l'essence d'amandes ou un parfum aux préparations, évitez le contact avec le plastique car il risquerait d'être tâché définitivement.

utilisation du mixeur pour préparations liquides

- Installez la rondelle d'étanchéité ❸ dans l'unité à lame ❹ en prenant soin de positionner la rondelle correctement.
 - Toute rondelle endommagée ou qui n'est pas installée correctement entraîne un risque de fuite.**

- Vissez le bol sur l'unité à lame.
- Mettez les ingrédients dans le bol.
- Enfoncez le bouchon sur le couvercle puis tournez.
- Tournez le couvercle dans le sens des aiguilles d'une montre pour l'installer fermement sur le bol.
- Placez le mixeur pour préparations liquides sur le bloc moteur puis tournez pour verrouiller ❹.
- Sélectionnez une vitesse ou utilisez le bouton de réglage Pulse.
 - Laissez tous les liquides refroidir à température ambiante avant de les placer dans le mixeur. astuces**
 - Lorsque vous faites une mayonnaise, mettez tous les ingrédients à l'exception de l'huile dans le mixeur pour préparations liquides. Une fois l'appareil en marche, versez l'huile dans le conduit de remplissage.
 - Raclez les mélanges épais des parois, par ex. les pâtes ou les sauces épaisses pour hors-d'œuvre. Si le mélange est trop épais, ajoutez du liquide.
 - Pour piler de la glace, utilisez le bouton de mélange intermittent Pulse (P).
 - Pour protéger votre appareil dans la durée, procédez par séquences de 60 secondes maximum. Arrêtez l'appareil dès que vous obtenez la consistance requise.
 - Ne pas insérer d'épices car elles risqueraient d'endommager le plastique.
 - L'appareil ne se mettra pas en marche si le mixeur n'est pas installé correctement.
 - Ne pas insérer d'ingrédients secs dans le mixeur avant de le mettre en marche. Si nécessaire, coupez-les en morceaux, enlevez le bouchon de remplissage, puis une fois que l'appareil est en marche, introduisez-les un par un.
 - Ne pas utiliser le mixeur pour préparations liquides comme espace de stockage. Il doit être vide avant et après utilisation.
 - Ne jamais mixer plus de 1,5 litres – moins pour les liquides épais comme les milk-shakes.

utilisation des accessoires

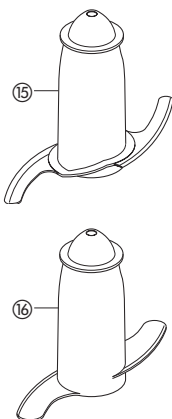
⑮ lame couteau / ⑯ mélangeur

Cette lame est l'accessoire le plus polyvalent.

La texture que vous obtenez est déterminée par la durée de mixage. Pour les textures plus granuleuses, utilisez le mode de fonctionnement par impulsion (pulse).

Utilisez la lame couteau pour la préparation de gâteau et de pâtes à tarte, pour hacher la viande fraîche et cuite, les légumes, les noix, les pâtes, les pâtes à tartiner salées, pour mixer les potages et aussi réduire les biscuits et le pain en miettes. Elle peut également servir pour la préparation de pâtes levées lorsque l'accessoire mélangeur n'est pas fourni.

Utilisez l'accessoire mélangeur pour la préparation de pâtes levées.



conseils

lame couteau

- Coupez les aliments, tels que la viande, le pain et les légumes en cubes de 2 cm avant la préparation.
- Les biscuits doivent être coupés en morceaux et introduits dans le tube d'alimentation pendant que le moteur est en marche.
- Pour la préparation de pâte à tarte, utilisez la matière grasse directement du réfrigérateur et coupez-la en cubes de 2cm.
- Prenez garde à ne pas mélanger trop longtemps.

mélangeur

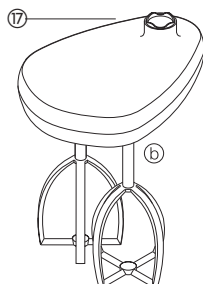
- Disposez les ingrédients secs dans le bol et versez le liquide dans le tube d'alimentation pendant que le moteur est en marche. Mélangez jusqu'à ce que le tout forme une pâte et soit lisse d'apparence et élastique au touché (cela prend 60 à 90 secondes).
- Pétrissez la pâte à la main uniquement. Il est déconseillé de pétrir dans le bol car cela peut entraîner une certaine instabilité du robot.

⑰ fouet à deux batteurs

Utilisez cet accessoire pour les mélanges légers uniquement, tels que les blancs d'œufs, la crème, le lait condensé non sucré et pour le mélange d'œufs et de sucre pour les gâteaux mousseline légers. Les préparations plus lourdes, avec matière grasse et levure, risquent d'endommager l'accessoire.

utilisation du fouet

- 1 Fixez le manche et le bol sur l'unité moteur.
- 2 Introduisez fermement chaque batteur dans la tête du fouet (b).
- 3 Mettez le fouet en place en le faisant délicatement tourner jusqu'à ce qu'il s'enclenche sur le manche.
- 4 Ajoutez les ingrédients.
- 5 Mettez le couvercle - assurez-vous que l'extrémité du manche est correctement positionnée au centre du couvercle.
- 6 Allumez l'appareil.



important

- Le batteur ne convient pas aux préparations de gâteaux ni aux mélanges de matière grasse et de sucre, qui risqueraient d'endommager le batteur. Toujours utiliser la lame tranchante pour faire vos gâteaux.

conseils

- Pour de meilleurs résultats, utilisez des œufs à température ambiante.
- Assurez-vous que le bol et les fouets sont propres et exempts de graisse avant de battre la préparation.

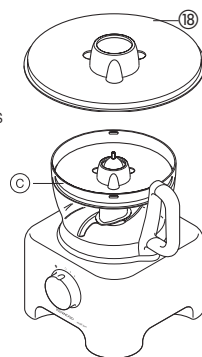
⑱ récipient mélangeur maxi blend

Pour mélanger les liquides, utilisez le récipient mélangeur maxi blend avec la lame couteau. Il vous permet d'accroître la capacité de traitement des liquides de 1 litre à 1,5 litres, d'empêcher les écoulements et d'améliorer les performances de hachage de la lame.

- 1 Adaptez le manche et le bol sur l'unité moteur.
- 2 Fixez la lame couteau.
- 3 Ajoutez les ingrédients à mélanger.
- 4 Fixez le récipient mélangeur sur la partie supérieure de la lame en veillant à le stabiliser sur le socle à l'intérieur du bol (c).

N'enfoncez pas le récipient, maintenez-le par la poignée centrale.

- 5 Adaptez le couvercle et allumez l'appareil.



disques éminceur / râpe

disque éminceur / râpe réversible - épais (19), fin (20)

Utilisez la râpe pour les fromages, carottes, pommes de terre et aliments de texture similaire.

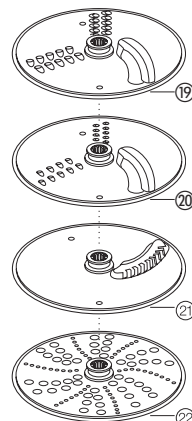
Utilisez l'éminceur pour les fromages, carottes, pommes de terre, choux, concombres, courgettes, betteraves et oignons.

disque frites fines (style Julienne) (21)

Utilisez ce disque pour couper : les pommes de terre pour l'obtention de frites (style Julienne) ; les ingrédients fermes pour salades, garnitures, ragoûts et sautés (par exemple, carottes, rutabaga, courgettes, concombre).

disque râpe (22)

Ce disque râpe le Parmesan et les pommes de terre pour la préparation de boulettes.

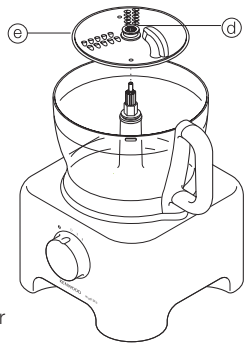


sécurité

- **Ne retirez jamais le couvercle tant que les disques de coupe ne sont pas complètement arrêtés.**
- **Manipulez les disques de coupe avec précaution - ils sont extrêmement tranchants**

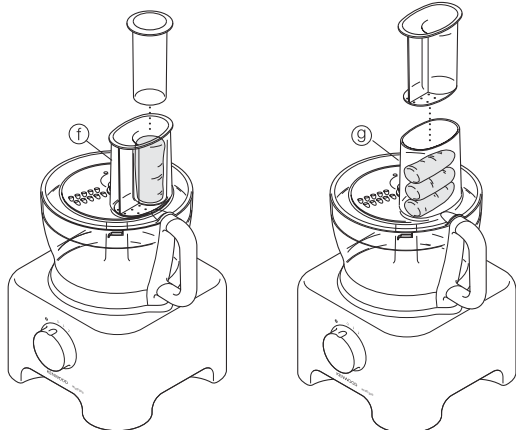
utilisation des disques de coupe

- 1 Fixez le manche et le bol sur l'unité moteur.
- 2 Tout en le maintenant par sa poignée centrale (a), placez le disque sur le manche, face appropriée vers le haut (e).
- 3 Fixez le couvercle.
- 4 Choisissez la taille de tube d'alimentation à utiliser. Le poussoir comprend un tube d'alimentation plus petit pour les ingrédients individuels ou plus fins. Pour utiliser le petit tube d'alimentation - introduisez tout d'abord le grand poussoir dans le tube d'alimentation. Pour utiliser le grand tube d'alimentation - utilisez conjointement les deux poussoirs.
- 5 Introduisez les aliments dans le tube.
- 6 Allumez l'appareil et exercez à l'aide du poussoir une pression régulière - **n'introduisez jamais vos doigts à l'intérieur du tube d'alimentation.**



conseils

- Utilisez des ingrédients frais
- Ne coupez pas les aliments en trop petits morceaux. Remplissez presque complètement le grand tube d'alimentation pour empêcher les aliments de glisser sur les côtés pendant que le robot fonctionne. Utilisez alternativement le petit tube d'alimentation.
- Lorsque vous utilisez le disque frites, placez les aliments en position verticale.
- Les aliments placés à la verticale (f) sont émincés ou rapés plus menus que ceux placés à l'horizontale (g).
- Vous remarquerez toujours une petite quantité de résidus sur la lame ou dans le bol lorsque vous cesserez d'utiliser un disque de coupe.



23 presse-agrumes

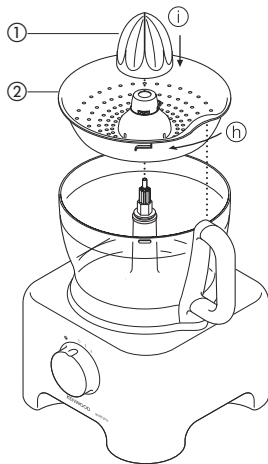
Le presse-agrumes sert à extraire le jus des agrumes (par exemple, les oranges, les citrons, les citrons verts et les pamplemousses).

- 1 cône
- 2 passoire

utilisation du presse-agrumes

- 1 Fixez le manche et le bol sur l'unité moteur.
- 2 Fixez la passoire dans le bol - assurez-vous de verrouiller la poignée de la passoire sur celle du bol (h).
- 3 Fixez le cône sur le manche jusqu'à ce qu'il descende à fond (i).
- 4 Coupez le fruit en deux. Mettez l'appareil en marche et pressez le fruit sur le cône.

- **Si la passoire n'est pas correctement verrouillée, le presse-agrumes ne fonctionnera pas.**



24 moulin

Utilisez le moulin afin de moudre les herbes aromatiques, noix et grains de café.

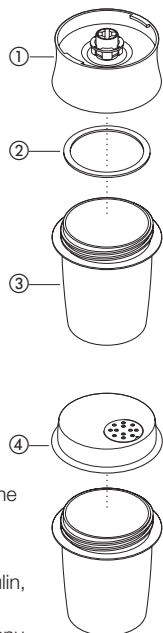
- 1 unité porte-lames
- 2 bague d'étanchéité
- 3 pot
- 4 couvercle saupoudreur

sécurité

- N'installez jamais l'unité porte-lames sur votre appareil sans avoir installé le bocal.
- Ne dévissez jamais le bocal tant que le moulin est fixé à l'appareil.
- Ne touchez pas les lames tranchantes. Conservez l'unité porte-lames hors de portée des enfants.
- Ne retirez jamais le moulin tant que les lames ne sont pas complètement à l'arrêt.

important

- Afin de prolonger la durée de vie de votre moulin, ne l'actionnez jamais pendant plus de 30 secondes. Éteignez-le dès que vous avez obtenu la consistance souhaitée.
- N'utilisez pas votre appareil pour transformer les épices – ces aliments pourraient endommager le plastique.
- Votre appareil ne fonctionne pas si le moulin n'est pas correctement installé.
- Utilisez le moulin uniquement pour les ingrédients secs.



utilisation de votre moulin

- 1 Mettez vos ingrédients dans le bocal. Ne le remplissez pas à plus de la moitié.
- 2 Adaptez la bague d'étanchéité dans l'unité porte-lames.
- 3 Retournez l'unité porte-lames. Abaissez-la dans le bocal, lames vers le bas.
- 4 Vissez l'unité porte-lames sur le bocal jusqu'à ce qu'elle soit correctement vissée et fixée.
- 5 Placez le récipient à émulsionner sur le bloc moteur puis tournez pour verrouiller (j).
- 6 Mettez en marche à vitesse maximum ou utilisez la commande par impulsion.
- 7 Après avoir moulu les ingrédients, vous pouvez remplacer l'unité porte-lames par le couvercle permettant de les saupoudrer.

- Le couvercle saupoudreur n'est pas hermétique.

conseils

- Il est préférable de moulin les herbes aromatiques une fois nettoyées et sèches.

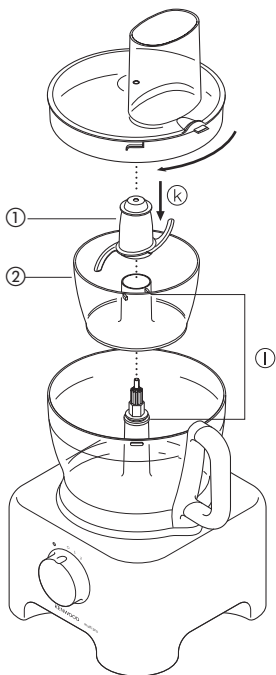
(25) mini-bol

Utilisez le mini-bol pour broyer les aromates et pour mixer les petites quantités d'ingrédients, par ex. viande, oignon, noix, mayonnaise, légumes, purées, sauces et aliments pour bébés.

- (1) lame tranchante de mini-bol
- (2) mini-bol

utilisation du mini-bol

- 1 Positionnez l'arbre de transmission et le bol sur le bloc moteur.
- 2 Fixez le mini-bol en vous assurant que les rainures situées sur l'intérieur du conduit du mini-bol sont alignées avec les fentes du conduit principal (l).
- 3 Placez la lame tranchante sur l'arbre de transmission (k).
- 4 Ajoutez les ingrédients.
- 5 Placez le couvercle et mettez en marche.



sécurité

- Ne jamais enlever le couvercle tant que la lame n'est pas totalement à l'arrêt.
- La lame est très tranchante, elle doit toujours être manipulée avec précaution.

important

- Ne pas insérer d'épices car elles risqueraient d'endommager le plastique.
- Ne pas insérer d'aliments durs comme les grains de café, les glaçons ou le chocolat, car ils risqueraient d'endommager la lame.

astuces

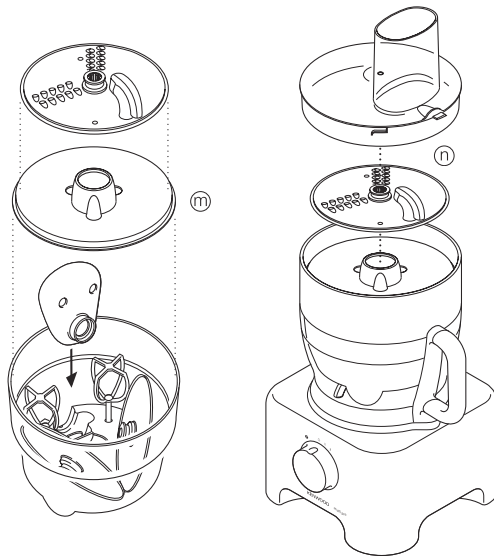
- Les aromates se broient plus facilement s'ils sont lavés et secs.
- Toujours ajouter un peu de liquide pour mélanger les ingrédients cuits des aliments pour bébés.
- Coupez les aliments comme le pain, la viande, les légumes, en cubes de 1-2 cm avant de les introduire dans le robot.
- Lorsque vous faites une mayonnaise, ajoutez l'huile dans le conduit d'alimentation.

(26) espace de rangement des accessoires KENSTORE™

Votre robot multifonction est fourni avec un espace de rangement des accessoires qui se place dans le bol.

utilisation de l'espace de rangement

- 1 Introduisez d'abord la lame tranchante dans le bol.
- 2 Puis insérez le batteur, les disques et le couvercle supérieur dans l'espace de rangement (m).
- 3 Placez l'espace de rangement sur la lame tranchante et positionnez le couvercle à cheminée du robot (n) par-dessus.

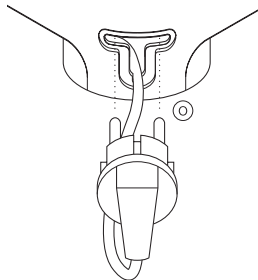


nettoyage

- Arrêtez et débrancher l'appareil avant de le nettoyer.
- Manipulez les lames et les disques de coupe avec précaution - ils sont extrêmement tranchants.
- Certains aliments décolorent le plastique. Ce phénomène est parfaitement normal. Cela n'endommage pas le plastique et n'altère pas le goût des aliments. Frottez-le à l'aide d'un chiffon imbibé d'huile végétale pour faire disparaître la décoloration.

unité moteur

- Essuyez avec un chiffon humide, puis séchez. Assurez-vous que la zone de verrouillage est exempte de résidus alimentaires.
- Entourez le cordon d'alimentation autour de l'enrouleur qui se trouve à l'arrière de l'appareil (Ⓞ).



mélangeur/moulin

- 1 Videz le pichet/bocal avant de le dévisser de l'unité porte-lames.
- 2 Lavez le pichet/bocal à la main.
- 3 Enlevez et lavez les joints et les rondelles
- 4 Ne touchez pas les lames tranchantes avec les doigts - brossez-les à l'aide d'eau chaude savonneuse, puis rincez-les entièrement sous le robinet. **N'immergez pas le support de lame dans l'eau.**
- 5 Retournez-le pour le faire sécher.

fouet à deux batteurs

- Détachez les batteurs de la tête du fouet en tirant dessus délicatement. Lavez-les avec de l'eau savonneuse tiède.
- Nettoyez la tête du fouet à l'aide d'un chiffon humide, puis séchez. **N'immergez pas la tête du fouet dans l'eau.**

autres éléments

- Lavez à la main et séchez soigneusement.
- Vous pouvez aussi les placer dans le bac supérieur du lave-vaisselle. Nous conseillons dans ce cas un programme à basse température.

service après-vente

- Il est impératif, pour des raisons de sécurité, que Kenwood ou un réparateur agréé Kenwood procède au remplacement du cordon d'alimentation si ce dernier est endommagé.

Si vous avez besoin d'aide concernant :

- l'utilisation de votre appareil
 - l'entretien, les pièces détachées ou les réparations
- contactez le point de vente où vous avez acheté votre appareil.

Deutsch

Bitte die Titelseite mit dem Abbildungen aufklappen.

vor Gebrauch Ihres Kenwood-Gerätes

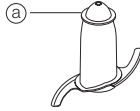
- Lesen Sie diese Anleitung sorgfältig durch und bewahren Sie diese zur späteren Benutzung auf.
- Entfernen Sie jegliches Verpackungsmaterial und alle Aufkleber.

Sicherheit

- Die Klingen und Arbeitsscheiben sind sehr scharf, handhaben Sie sie mit Vorsicht. **Halten Sie die Messerklinge während des Gebrauchs und der Reinigung ^(a) stets an dem Griff am oberen Rand fest und nicht an der Schneide.**
- Die Küchenmaschine darf nicht am Griff angehoben oder getragen werden – der Griff könnte brechen und Verletzungen hervorrufen.
- Entfernen Sie immer erst die Messerklinge, bevor Sie die Schüssel entleeren.
- Halten Sie Hände oder Küchengeräte nie in die Schüssel oder den Mixerkrug des Geräts, solange es an die Steckdose angeschlossen ist.
- Schalten Sie das Gerät aus bzw. ziehen Sie den Netzstecker:
 - vor dem Anbringen bzw. Entfernen von Teilen
 - nach dem Gebrauch
 - vor der Reinigung
- Drücken Sie niemals Lebensmittel mit den Fingern in den Einfüllschacht. Verwenden Sie stets den/die mitgelieferten Stopfer.
- Vor Abnehmen des Deckels von der Schüssel bzw. des Mixers/Mahlwerks vom Antrieb:
 - das Gerät ausschalten;
 - warten, bis Zusatzgeräte/Klingen völlig zum Stillstand gekommen sind;
 - Den Mixerbecher bzw. das Mahlwerk nicht vom Messerwerk abschrauben.
- Vor Befüllen des Liquidisiers, die Flüssigkeit auf Raumtemperatur abkühlen lassen.
- Verwenden Sie zum Betreiben der Küchenmaschine niemals den Deckel, sondern nur den Ein-/Aus-Geschwindigkeitsstufenschalter.
- **Das Gerät kann beschädigt werden und es kann zu Verletzungen kommen, wenn der Verriegelungsmechanismus übermäßiger Krafteinwirkung ausgesetzt wird.**
- Verwenden Sie nur zugelassenes Zubehör.
- Lassen Sie das Gerät nie unbeaufsichtigt laufen.
- Verwenden Sie niemals ein beschädigtes Gerät. Zu Überprüfung bzw. Reparatur siehe 'Kundendienst und Kundenbetreuung'.
- Lassen Sie die Antriebseinheit, das Netzkabel oder den Stecker niemals nass werden.
- Lassen Sie nicht zu, dass lose Abschnitte des Netzkabels über die Tischkante oder Arbeitsplatte hängen oder heiße Oberflächen berühren.
- Die angegebenen Höchstmengen dürfen nicht überschritten werden.
- Gebrechliche Personen dürfen die Maschine nicht ohne Aufsicht benutzen.
- Kinder dürfen das Gerät weder benutzen, noch damit spielen.
- Verwenden Sie das Gerät nur für seinen vorgesehenen Zweck im Haushalt. Bei unsachgemäßer Benutzung oder Nichteinhaltung dieser Anweisungen übernimmt Kenwood keinerlei Haftung.

Vor dem Einstecken des Netzsteckers

- Überprüfen Sie, ob die Netzspannung in Ihrem Haushalt mit dem an der Unterseite des Geräts angegebenen Wert übereinstimmt.
- Dieses Gerät erfüllt die Anforderungen der EU-Direktive 89/336/EEC.



Vor der ersten Verwendung

- 1 Entfernen Sie alle Verpackungsmaterialien, einschließlich der Kunststoffabdeckungen der Messerklinge. **Seien Sie vorsichtig - die Klingen sind sehr scharf.** Diese Abdeckungen können Sie wegwerfen, da sie nur zum Schutz der Klinge während der Herstellung und des Transports dienen.
- 2 Zum Abwaschen der Teile siehe 'Reinigung'
- 3 Stecken Sie überschüssiges Kabel in das Kabelfach an der Rückseite des Geräts.

Gerätebeschreibung

Küchenmaschine

- ① Antriebseinheit
- ② abnehmbare Antriebswelle
- ③ Schüssel
- ④ Deckel
- ⑤ Einfüllschacht
- ⑥ Stopfer
- ⑦ Sicherheitsverriegelungen
- ⑧ Netzkabelfach
- ⑨ Geschwindigkeitsregler

Mixer

- ⑩ Füllaufsatz
- ⑪ Deckel
- ⑫ Becher
- ⑬ Dichtungsring
- ⑭ Klingenthalerung

Zusätzliches Zubehör

Nicht alle unten aufgeführten Zubehörteile müssen Teil Ihres Lieferumfangs sein. Zubehörteile sind typenabhängig.

- ⑮ Messerklinge
- ⑯ Knetwerkzeug
- ⑰ Doppelschlagbesen aus Metall
- ⑱ Maxi-Mix-Aufsatz
- ⑲ Dicke Schneid-/grobe Raspelscheibe
- ⑳ Dünne Schneid-/feine Raspelscheibe
- ㉑ Feine Julienne-Scheibe
- ㉒ Raspelscheibe
- ㉓ Zitruspresse
- ㉔ Mühle
- ㉕ Mini-Arbeitsschüssel
- ㉖ KENSTORE™ Aufsatzkarussell
- ㉗ Spatel

Wählen einer Geschwindigkeit für alle Funktionen

Werkzeug/Aufsatz	Funktion	Geschwindigkeit	Höchstmengen
Messerklinge	Rührkuchenteig Gebäck – Einarbeiten von Fett in Mehl Hinzufügen von Wasser zum Verkneten der Backzutaten Hacken/Pürieren/Pasteten	1 – 2 2 1 – 2 2	1,5 kg Gesamtgewicht 340 g Mehl 600 g Fleisch
Messerklinge mit Maxi-Mix-Aufsatz	Suppen – beginnen Sie mit einer niedrigen Geschwindigkeit und steigern Sie die Geschwindigkeit dann langsam bis zu 2	1 – 2	1,5 Liter
Schlagen	Eiweiß Eier & Zucker für fettfreie Teige Sahne	2 2 1 – 2	6 Eiweiß 500 ml
Knetwerkzeug	Hefeteige	2	600 g
Scheiben – Schneiden/Raspeln/Schnitzeln	Feste Nahrungsmittel wie z.B. Möhren, Hartkäse Weichere Nahrungsmittel wie z.B. Gurken, Tomaten	2 1	
Raspelscheibe	Parmesankäse, Kartoffeln für Kartoffelknödel.	2	
Zitruspresse	Zitrusfrüchte	1	
Mini-Arbeitsschüssel & Messer	Alle Arbeiten	2	200 g
Mixer	Alle Arbeiten	2	1,5 Liter
Mühle	Alle Arbeiten	2	

Verwendung der Küchenmaschine

- Die abnehmbare Welle auf die Antriebseinheit ❶ aufsetzen.
- Setzen Sie dann die Schüssel auf. Positionieren Sie den Griff nach hinten und drehen Sie ihn im Uhrzeigersinn, bis er einrastet ❷.
- Schließen Sie ein Zubehörteil an der Antriebswelle an.
 - Setzen Sie immer die Schüssel auf die Maschine und schließen Sie ein Zubehörteil an, bevor Sie Zutaten in die Schüssel geben.
- Setzen Sie den Deckel auf ❸ und achten Sie dabei darauf, dass sich die Spitze der Antriebswelle in der Mitte des Deckels befindet.
 - Verwenden Sie zum Betreiben der Küchenmaschine niemals den Deckel, sondern nur den Ein-/Aus-Geschwindigkeitsstufenschalter.**
- Einschalten und Geschwindigkeitsstufe wählen.
 - Wenn Schüssel und Deckel nicht ordnungsgemäß aufgesetzt wurden, funktioniert die Küchenmaschine nicht.**
 - Verwenden Sie die Pulsfunktion (P) für kurze Schübe. Die Pulsfunktion läuft, solange der Regler in der entsprechenden Position gehalten wird.
- Führen Sie die obigen Schritte in umgekehrter Reihenfolge aus, um Schüssel, Zubehörteile und Deckel zu entfernen.
 - Schalten Sie das Gerät vor dem Abheben des Deckels immer aus.**
 - Achtung**
 - Ihre Küchenmaschine eignet sich nicht zum Zerkleinern oder Mahlen von Kaffeebohnen oder grobem Zucker bzw. Kristallzucker.
 - Wenn Sie der Mischung Mandelaroma oder andere Aromen hinzufügen wollen, vermeiden Sie bitte, dass diese auf den Kunststoff gelangen. Sie könnten zu permanenten Verfärbungen führen.

Verwenden Ihres Mixers

- Setzen Sie den Dichtungsring ⑩ in das Messerwerk ⑪ und achten Sie darauf, dass die Dichtung richtig sitzt.
 - Wenn die Dichtung beschädigt oder nicht richtig aufgesetzt ist, kann Püriergut austreten.**
- Schrauben Sie das Gefäß auf das Messerwerk.

- Geben Sie Ihre Zutaten in das Gefäß.
- Setzen Sie die Füllkappe in den Deckel und drehen Sie sie.
- Drehen Sie den Deckel im Uhrzeigersinn, um ihn auf dem Gefäß zu arretieren.
- Stellen Sie den Mixer auf den Motorblock und drehen Sie ihn zum Arretieren ❹.
- Wählen Sie eine Geschwindigkeit oder benutzen Sie die Pulskontrolle.
 - Vor Befüllen des Liquidisers, die Flüssigkeit auf Raumtemperatur abkühlen lassen.**
 - Tipps**
 - Zum Zubereiten von Mayonnaise geben Sie alle Zutaten außer das Öl in den Mixer. Gießen Sie dann das Öl bei laufender Maschine in die Füllkappe und in die Zutaten.
 - Dicke Massen, wie z.B. Pasteten und Dips, müssen eventuell abgeschabt werden. Wenn sich die Masse nur schwer verarbeiten lässt, geben sie mehr Flüssigkeit zu.
 - Zum Zerkleinern von Eis sollten Sie die Pulsfunktion mit kurzen Schüben verwenden.
 - Um Ihren Mixer zu schonen, sollte er niemals länger als 60 Sekunden laufen. Schalten Sie das Gerät ab, sobald die Konsistenz richtig ist.
 - Verarbeiten Sie keine Gewürze – Sie könnten den Kunststoff beschädigen.
 - Das Gerät funktioniert nicht, wenn der Mixer falsch aufgesetzt wurde.
 - Geben Sie keine trockenen Zutaten in den Mixer, bevor Sie ihn eingeschaltet haben. Bei Bedarf schneiden Sie die Zutaten in kleine Stücke; nehmen Sie die Füllkappe ab und geben Sie die Stücke dann bei laufendem Motor einzeln in den Mixer.
 - Verwenden Sie den Mixer nicht als Aufbewahrungsbehälter. Der Mixer muss vor und nach dem Gebrauch leer sein.
 - Mixen Sie niemals mehr als 1½ Liter – weniger bei schaumigen Flüssigkeiten, wie z.B. Milchshakes.

Verwendung der Zubehörteile

15 Messerklinge/16 Teigkneter

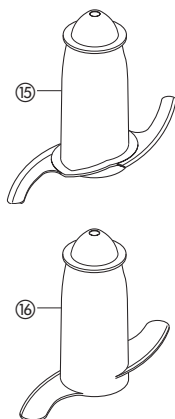
Die Messerklinge ist das vielseitigste Zubehörteil.

Die Verarbeitungsdauer bestimmt die erreichte Konsistenz. Verwenden Sie die Impulsfunktion, um gröbere Konsistenzen zu erreichen.

Verwenden Sie die Messerklinge zur Kuchen- und Mürbeteigzubereitung, zum Hacken von rohem und gekochtem Fleisch, Gemüse und Nüssen, zur Zubereitung von Paté, Dips, zum Pürieren von Suppenzutaten und zur Herstellung von Biskuit- und Semmelbröseln.

Sie kann auch zur Herstellung von Hefeteigmischungen verwendet werden, wenn der Teigkneter nicht zur Verfügung steht.

Verwenden Sie den Teigkneter zur Herstellung von Hefeteigmischungen.



Tipps

Messerklinge

- Schneiden Sie Lebensmittel wie Fleisch, Brot oder Gemüse vor der Verarbeitung in Würfel von ca. 2 cm Größe.
- Biskuits sollten zuvor etwas zerkleinert und dann bei laufendem Gerät durch den Einfüllschacht gegeben werden.
- Zur Herstellung von Mürbeteig sollten Sie Fett direkt aus dem Kühlschrank, in ca. 2 cm große Würfel geschnitten, verwenden.
- Achten Sie darauf, dass Sie die Zutaten nicht zu lange verarbeiten.

Teigkneter

- Geben Sie die trockenen Zutaten in die Schüssel und fügen Sie über den Einfüllschacht bei laufendem Gerät Flüssigkeit zu. Lassen Sie solange kneten, bis sich eine elastische Teigkugel formt. Dies dauert 60-90 Sekunden.
- Kneten Sie noch einmal nur von Hand. Dieses nochmalige Kneten sollte nicht in der Schüssel erfolgen, da die Küchenmaschine dabei ihren Halt verlieren kann.

17 Doppelschneebeesen

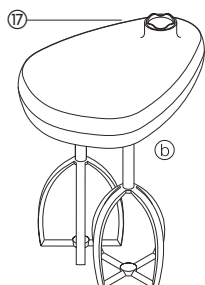
Nur für nicht zähe Mischungen wie Eiweiß, Sahne, Kondensmilch und zum Schlagen von Eiern und Zucker für fettfreie Biskuits. Zähere Mixturen wie Fett und Mehl beschädigen ihn.

Verwendung des Schneebeesens

- 1 Setzen Sie Antriebswelle und Schüssel auf die Antriebseinheit.
- 2 Drücken Sie jeden Besen sicher in den Antriebskopf (16).
- 3 Setzen Sie den Schneebeesen durch vorsichtiges Drehen ein, bis er in die Antriebswelle rutscht.
- 4 Geben Sie die Zutaten zu.
- 5 Setzen Sie den Deckel auf und achten Sie dabei darauf, dass sich das Ende der Antriebswelle in der Mitte des Deckels befindet.
- 6 Schalten Sie das Gerät ein.

Wichtig

- Der Schlagbesen eignet sich nicht für Rührkuchenteige oder zum Cremigrühren von Fett und Zucker, weil er dadurch beschädigt werden kann. Verwenden Sie für die Zubereitung von Kuchenteig stets das Messer.



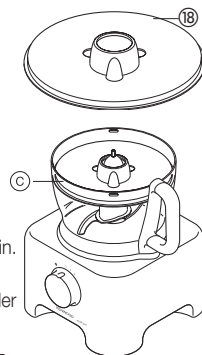
Tipps

- Die besten Ergebnisse werden erreicht, wenn die Eier Zimmertemperatur haben.
- Achten Sie vor dem Schnee schlagen darauf, dass die Schüssel und der Schneebeesen frei von Fettsuren sind.

18 Maxi-Fülldeckel

Verwenden Sie beim Mixen von Flüssigkeiten den Maxi-Fülldeckel zusammen mit der Messerklinge. Sie können damit das Fassungsvermögen der Schüssel von 1 l auf 1,5 l erhöhen, Auslaufen verhindern und die Effektivität der Klinge erhöhen.

- 1 Setzen Sie Antriebswelle und Schüssel auf die Antriebseinheit.
- 2 Setzen Sie die Messerklinge ein.
- 3 Geben Sie die zu verarbeitenden Zutaten hinein.
- 4 Setzen Sie den Fülldeckel über die Klinge und stellen Sie sicher, dass er auf dem Absatz in der Schüssel aufsitzt (18).
- 5 Drücken Sie nicht auf den Fülldeckel - halten Sie ihn am Mittelgriff.
- 6 Setzen Sie den Deckel auf und schalten Sie das Gerät ein.



Schneide-/Reibescheiben

Wendbare Schneide-/Reibescheiben - dick (19), dünn (20)

Verwenden Sie die Reibescheibe für Käse, Karotten, Kartoffeln und Lebensmittel ähnlicher Konsistenz.

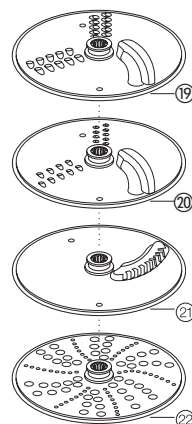
Verwenden Sie die Schneidescheibe für Käse, Karotten, Kartoffeln, Kohl, Gurke, Zucchini, rote Bete und Zwiebel.

Feine Chip-Scheibe (für Julienne) (21)

Zum Schneiden von: Kartoffeln für Julienne Pommes frites; feste Zutaten für Salate, Garnierungen, Kasserollen und "Stir fry" (z.B. Karotten, Kohlrüben, Zucchini, Gurken)

Raspelscheibe (22)

Zum Reiben von Parmesankäse und Kartoffeln für Klöße

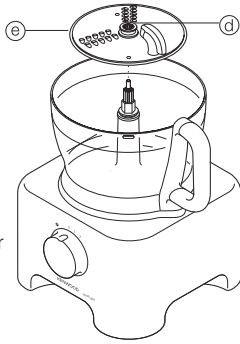


Sicherheit

- Entfernen Sie den Deckel erst, nachdem die Schneidescheibe vollständig zum Stillstand gekommen ist.
- Seien Sie bei der Handhabung der Schneidescheiben vorsichtig - sie sind äußerst scharf.

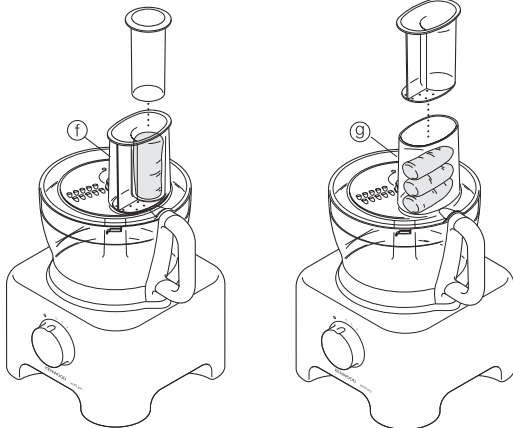
Verwendung der Schneidescheiben

- 1 Setzen Sie Antriebswelle und Schüssel auf die Antriebseinheit.
- 2 Fassen Sie die Scheibe am Mittelgriff (d) und setzen Sie sie mit der jeweils gewünschten Seite nach oben auf die Antriebswelle (e).
- 3 Setzen Sie den Deckel auf.
- 4 Wählen Sie die Größe des zu verwendenden Einfüllschachts. Der Stopfer besitzt zum Verarbeiten einzelner Stücke oder dünner Zutaten einen kleineren Einfüllschacht. Setzen Sie zur Verwendung des kleinen Einfüllschachts zuerst den großen Stopfer in den Einfüllschacht. Für den großen Einfüllschacht benötigen Sie beide Stopfer zusammen.
- 5 Geben Sie die Lebensmittel in den Einfüllschacht.
- 6 Schalten Sie das Gerät ein und drücken Sie die Lebensmittel mit dem Stopfer gleichmäßig nach unten - **verwenden Sie dazu nie Ihre Finger.**



Tipps

- Verwenden Sie frische Zutaten
- Schneiden Sie Lebensmittel nicht zu fein. Machen Sie den großen Einfüllschacht ziemlich voll. Dies verhindert, dass die Lebensmittel während des Verarbeitens seitlich wegrutschen. Verwenden Sie alternativ auch den kleinen Einfüllschacht.
- Bei der Verwendung der Chip-Scheibe sollten Sie die Zutaten waagrecht in den Einfüllschacht geben.
- Beim Schneiden und Reiben: Lebensmittel, die aufrecht in den Schacht gegeben werden, (f) werden kürzer geschnitten als Lebensmittel, die waagrecht hineingegeben werden (g).
- Nach der Verarbeitung bleiben immer kleine Reste auf der Scheibe oder in der Schüssel zurück.



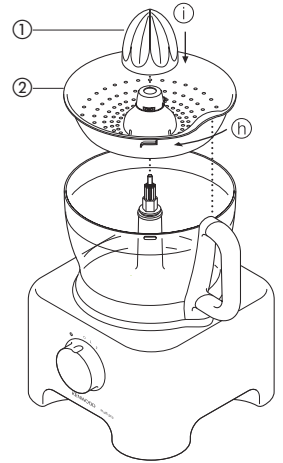
23 Zitruspresse

Die Zitruspresse wird zum Auspressen von Zitrusfrüchten, wie z.B. Orangen, Zitronen, Limonen und Grapefruits verwendet.

- 1 Kegel
- 2 Sieb

Verwendung der Zitruspresse

- 1 Setzen Sie Antriebswelle und Schüssel auf die Antriebseinheit.
- 2 Setzen Sie das Sieb in die Schüssel - vergewissern Sie sich, dass der Siebgriff direkt über dem Schüsselgriff einrastet (h).
- 3 Setzen Sie den Kegel auf die Antriebswelle und drehen Sie ihn, bis er ganz nach unten rutscht (i).
- 4 Schneiden Sie die Frucht in zwei Hälften. Schalten Sie dann das Gerät ein und drücken Sie die Frucht auf den Kegel.



- **Die Zitruspresse funktioniert nicht, wenn das Sieb nicht ordnungsgemäß eingerastet ist.**

24 Mahlwerk

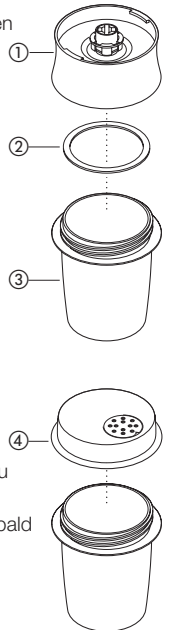
Mit dem Mahlwerk können Sie Kräuter hacken sowie Nüsse und Kaffeebohnen mahlen.

- 1 Messereinsatz
- 2 Dichtungsring
- 3 Behälter
- 4 Deckel mit Streuvorrichtung

- Das Messerwerk nie ohne den Krug in die Maschine einsetzen.
- Solange die Mühle auf der Maschine sitzt, Mixerglas nicht abschrauben.
- Messer nicht berühren und von Kindern fernhalten.
- Entfernen Sie die Mühle niemals, bevor das Messer vollständig gestoppt hat.

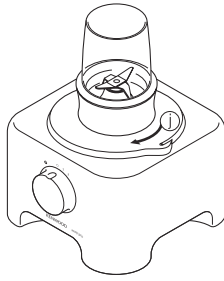
Wichtig

- Um die lange Lebensdauer des Mahlwerks zu erhalten, das Mahlwerk nicht länger als 30 Sekunden ununterbrochen laufen lassen. Sobald die gewünschte Konsistenz erreicht ist, das Mahlwerk abschalten.
- Keine Gewürze einfüllen – das Plastik könnte beschädigt werden.
- Die Maschine läßt sich nicht einschalten, wenn das Mahlwerk nicht richtig eingesetzt ist.
- Nur trockene Zutaten verwenden.



Zusammensetzen der Mühle

- 1 Zutaten in den Behälter geben.
Maximal bis zur Hälfte füllen.
- 2 Dichtungsring auf den Messereinsatz legen.
- 3 Komplette Messereinheit auf das gefüllte Glas legen.
- 4 Messereinheit fest auf den Behälter schrauben.
- 5 Stellen Sie die Mühle auf den Motorblock und drehen Sie sie zum Arretieren ①.
- 6 Schalten Sie die Maschine mit maximaler Geschwindigkeit oder im Impulsbetrieb ein.
- 7 Nach dem Mahlvorgang kann die Messereinheit durch den Deckel mit Streuvorrichtung ersetzt und der Behälter als Streuer verwendet werden.



- Deckel ist nicht luftdicht.

Tipps

- Saubere trockene Kräuter lassen sich am besten hacken.

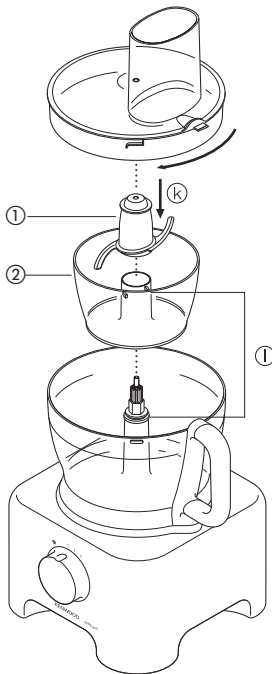
②⑤ Mini-Arbeitsschüssel

Verwenden Sie die Mini-Arbeitsschüssel zum Hacken von Kräutern und zum Verarbeiten von kleinen Zutatenmengen, z.B. Fleisch, Zwiebeln, Nüsse, Mayonnaise, Gemüse, Pürees, Saucen und Babynahrung.

- ① Messerwerk für die Mini-Arbeitsschüssel
- ② Mini-Arbeitsschüssel

Verwenden der Mini-Arbeitsschüssel

- 1 Setzen Sie die Antriebswelle und die Schüssel auf den Motorblock.
- 2 Bringen Sie die Mini-Arbeitsschüssel an – achten Sie darauf, dass die Rippen auf der Innenseite des Mini-Arbeitsschüsselschachts mit den Schlitzen im Hauptschacht ausgerüstet sind ①.
- 3 Setzen Sie das Messerwerk auf die Antriebswelle ②.
- 4 Fügen Sie die zu verarbeitenden Zutaten hinzu.
- 5 Setzen Sie den Deckel auf und schalten Sie das Gerät an.



Sicherheit

- Nehmen Sie niemals den Deckel ab, solange das Messer noch nicht vollständig gestoppt hat.
- Die Messerklinge ist sehr scharf – gehen Sie immer vorsichtig damit um.

Wichtig

- Verarbeiten Sie keine Gewürze – sie könnten den Kunststoff beschädigen.

- Verarbeiten Sie keine harten Nahrungsmittel, wie z.B. Kaffeebohnen, Eiswürfel oder Schokolade – sie könnten die Klinge beschädigen.

Tipps

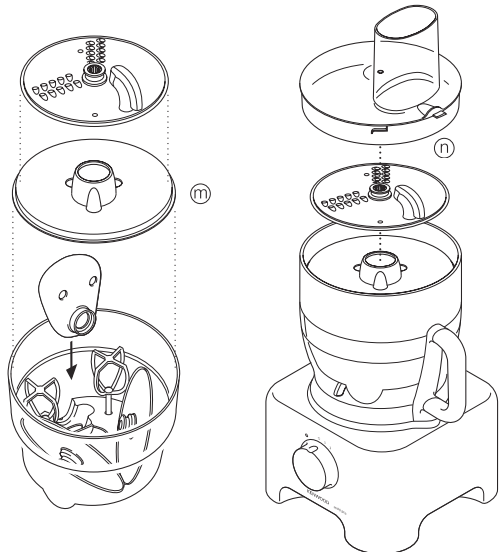
- Kräuter werden am besten erst nach dem Waschen und Trocknen gehackt.
- Fügen Sie beim Mixen von gekochten Zutaten zur Zubereitung von Babynahrung immer etwas Flüssigkeit hinzu.
- Schneiden Sie Nahrungsmittel wie Fleisch, Brot, Gemüse vor dem Verarbeiten in Würfel mit einer Größe von ca. 1-2 cm (1/2 – 3/4 in).
- Für die Zubereitung von Mayonnaise fügen Sie das Öl durch den Einfüllschacht hinzu.

②⑥ KENSTORE™ Aufsatzkarussell

Zusammen mit Ihrer Küchenmaschine wird ein Aufbewahrungskarussell für Aufsätze geliefert, das in die Schüssel passt.

Verwenden Ihres Aufbewahrungskarussells

- 1 Bringen Sie das Messer in der Schüssel an.
- 2 Bringen Sie dann Schlagbesen, Scheiben und Maxi-Blend-Aufsatz im Karussell an ①.
- 3 Setzen Sie das Karussell über das Messer und setzen Sie den Deckel der Küchenmaschine darauf ②.

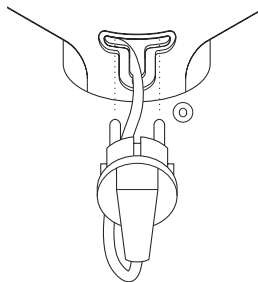


Wartung & Reinigung

- Schalten Sie das Gerät vor dem Reinigen immer aus und ziehen Sie den Netzstecker.
- Seien Sie bei der Handhabung der Klingen und Schneidescheiben vorsichtig - sie sind äußerst scharf.
- Einige Lebensmittel verfärben den Kunststoff. Das ist völlig normal - der Kunststoff wird dadurch weder beschädigt, noch wird der Geschmack der Lebensmittel beeinträchtigt. Durch Abreiben mit einem in Pflanzenöl getränktem Tuch können Verfärbungen entfernt werden.

Antriebseinheit

- Mit einem feuchten Tuch abwischen, dann abtrocknen. Vergewissern Sie sich, dass der Bereich des Sicherheitsriegels frei von Lebensmittlrückständen ist.
- Stecken Sie überschüssiges Kabel in das Kabelfach an der Rückseite des Geräts ①.



Mixer/Mahlwerk

- 1 Den Krug entleeren, bevor Sie ihn vom Messerwerk abschrauben.
- 2 Den Krug von Hand spülen.
- 3 Entfernen und waschen Sie die Dichtungen
- 4 Berühren Sie die scharfen Klingen nicht - bürsten Sie sie mit heißem Seifenwasser sauber und spülen Sie sie dann unter fließendem Wasser gründlich ab. **Tauchen Sie die Klingenthalerung nicht in Wasser.**
- 5 Lassen Sie die Teile umgekehrt stehend trocknen.

Doppelschneebesen

- Entfernen Sie die Besen durch leichtes Ziehen aus dem Antriebskopf. Waschen Sie sie in warmen Seifenwasser.
- Wischen Sie den Antriebskopf mit einem feuchten Tuch ab, und trocknen Sie ihn dann. **Tauchen Sie den Antriebskopf nicht in Wasser.**

Alle anderen Teile

- Von Hand spülen, dann trocknen.
- Alternativ können sie im oberen Gestell Ihrer Geschirrspülmaschine gereinigt werden. Wir empfehlen ein kurzes Programm bei niedriger Temperatur.

Kundendienst

- Aus Sicherheitsgründen darf ein beschädigtes Kabel nur von Kenwood oder einer autorisierten Kenwood-Werkstatt ausgetauscht werden.
Benötigen Sie Hilfe:
- im Umgang mit Ihrem Gerät
- Kundendienst oder Reparatur
Setzen Sie sich mit Ihrem Verkäufer in Verbindung.

Italiano

Prima di leggere, aprire la prima pagina con le illustrazioni

prima di utilizzare la vostra apparecchiatura Kenwood

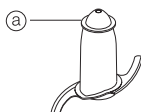
- Leggere attentamente le presenti istruzioni e conservarle come futuro riferimento.
- Rimuovere la confezione e le etichette.

sicurezza

- La lama e i dischi sono taglienti: maneggiare con cautela. **Tenere la lama per l'apposita presa ^a in alto, lontano dalla parte tagliente, sia durante l'uso che nel corso della pulizia.**
- Non sollevare o trasportare l'apparecchio afferrandolo per il manico; il manico potrebbe rompersi e provocare incidenti.
- Rimuovere sempre la lama prima di svuotare il recipiente.
- Non introdurre le mani o altri utensili nel recipiente e nel bicchiere del frullatore mentre l'apparecchio è collegato alla rete elettrica.
- Spegnerne l'apparecchio e staccare la spina:
 - prima di inserire o rimuovere parti accessorie
 - dopo l'uso
 - prima della pulizia
- Non usare mai le dita per spingere gli alimenti nel tubo di riempimento. Servirsi sempre dell'apposito accessorio (pressatore).
- Prima di togliere il coperchio dalla vaschetta oppure il frullatore/macchinino dal corpo motore:
 - spegnere l'apparecchio;
 - attendere che le parti accessorie o la lama si siano fermate completamente;
 - Fare attenzione a non svitare la caraffa del frullatore o del macchinino dal gruppo delle lame.
- Lasciare che tutti i liquidi giungano a temperatura ambiente prima di versarli nel frullatore.
- Non usare il coperchio per far funzionare l'apparecchio, ma servirsi sempre dell'interruttore di velocità on/off.
- **Nel caso in cui il meccanismo di sicurezza venga sottoposto a forza eccessiva, l'elettrodomestico verrà danneggiato e potrà essere causa di infortuni.**
- Non utilizzare l'apparecchio con accessori non autorizzati.
- Non lasciare l'apparecchio incustodito.
- Non utilizzare l'apparecchio se danneggiato. Rivolgersi ai tecnici per un controllo ed eventuali riparazioni (consultare la sezione 'Assistenza clienti').
- Non bagnare il motore, il cavo o la spina.
- Non lasciar pendere il cavo elettrico dal piano di lavoro e non lasciare che tocchi superfici calde.
- Non superare le capacità massime indicate.
- Non lasciare che persone incapaci utilizzino l'apparecchiatura senza
- Non consentire a bambini di utilizzare o giocare con l'apparecchio.
- Utilizzare l'apparecchio solo per l'uso domestico per cui è stato realizzato. Kenwood non si assumerà alcuna responsabilità se l'apparecchio viene utilizzato in modo improprio o senza seguire le presenti istruzioni.

prima dell'uso

- Accertarsi che la tensione della rete elettrica corrisponda a quella indicata sul lato inferiore dell'apparecchio.
- Questo apparecchio è conforme alla Direttiva Comunitaria 89/336/CEE.



prima di usare per la prima volta

- 1 Rimuovere l'imballaggio, comprese le protezioni di plastica delle lame. **Fare molta attenzione: le lame sono taglienti.** Queste protezioni vengono usate solo come misura protettiva durante la fabbricazione e il trasporto e possono essere gettate.
- 2 Lavare i componenti (consultare la sezione 'Pulizia').
- 3 Avvolgere la lunghezza in eccesso del cavo elettrico nell'apposito vano sul retro dell'apparecchio.

legenda

robot

- ① blocco motore
- ② alberino di rotazione rimovibile
- ③ vaschetta
- ④ coperchio
- ⑤ tubo di riempimento
- ⑥ pressatori
- ⑦ dispositivi bloccanti
- ⑧ vano cavo elettrico
- ⑨ selettore della velocità

frullatore

- ⑩ tappo del coperchio
- ⑪ coperchio
- ⑫ caraffa
- ⑬ guarnizione
- ⑭ unità lame

accessori

Il frullatore potrebbe non includere tutti gli accessori elencati sotto. Gli accessori in dotazione variano a seconda del modello.

- ⑮ lama
- ⑯ utensile per impastare
- ⑰ doppia frusta in metallo a ingranaggi
- ⑱ maxi-calotta
- ⑲ disco grosso per affettare/sminuzzare
- ⑳ disco fino per affettare/sminuzzare
- ㉑ disco per patatine (a fiammifero)
- ㉒ disco per grattugiare
- ㉓ spremiagrumi a ingranaggi
- ㉔ tritatutto
- ㉕ mini vaschetta
- ㉖ porta-accessori circolare KENSTORE™
- ㉗ spatola

scegliere la velocità per ogni funzione

Utensile/accessorio	Funzione	Velocità	Capacità massime
Lama	Miscela per torte con preparazione in un unico stadio Pasta frolla/sfoglia – miscelare burro e farina Aggiungere acqua per amalgamare gli ingredienti della pasta frolla/sfoglia Sminuzzare/preparare purea/paté	1 – 2 2 1 – 2 2	Peso totale: 1,5 kg Peso farina: 340 g Carne: 600 g
Lama con maxi-calotta	Zuppe – iniziare a velocità moderata e aumentarla gradualmente fino a quella 2	1 – 2	1,5 litri
Frusta	Albumi Uova e zucchero per pan di spagna senza grassi Panna	2 2 1 – 2	6 albumi 500 ml
Utensile per impastare	Miscela con lievito	2	500 g
Dischi – affettare/sminuzzare/ preparare patatine a fiammifero	Alimenti di consistenza solida come carote, formaggio a pasta dura Alimenti più soffici come cetrioli, pomodori	2 1	
Disco per grattugiare	Parmigiano, patate per gnocchi	2	
Spremiagrumi	Agrumi	1	
Mini-vaschetta e lama	Tutti i tipi di lavorazione	2	200 g
Frullatore	Tutti i tipi di lavorazione	2	1,5 litri
Tritatutto	Tutti i tipi di lavorazione	2	

uso del robot

- 1 Montare l'alberino rimovibile sul corpo motore ❶.
- 2 Quindi, inserire il recipiente. Posizionare il manico rivolto all'indietro e ruotare in senso antiorario fino a bloccarlo in posizione ❷.
- 3 Inserire un accessorio sopra l'alberino di rotazione.
 - Inserire sempre il recipiente e l'accessorio sull'apparecchio prima di aggiungere gli ingredienti.
- 4 Inserire il coperchio ❸ accertandosi di introdurre la parte superiore dell'alberino di rotazione al centro dello stesso.
 - **Non utilizzare il coperchio per far funzionare l'apparecchio, ma usare sempre l'interruttore on/off per il controllo della velocità.**
- 5 Accendere il frullatore e selezionare una velocità.
 - **L'apparecchio non funziona se il recipiente e il coperchio non sono inseriti correttamente.**
 - Per azionare l'apparecchio a brevi impulsi utilizzare l'impostazione a intermittenza (P). Questa impostazione rimane in funzione fino a quando il selettore è impostato sulla posizione corrispondente.
- 6 Rimuovere coperchio, accessori e recipiente eseguendo la procedura inversa.
 - **Spegnerne prima di rimuovere il coperchio. importante**
 - Questo apparecchio non è indicato per macinare caffè in grani o per ottenere zucchero a velo da zucchero granulato.
 - Durante l'aggiunta di aromi o essenza di mandorle, evitare il contatto diretto con la plastica in quanto può provocare macchie permanenti.

per usare il vostro frullatore

- 1 Inserire la guarnizione ad anello ❸ nel complessivo delle lame ❹, assicurandosi che sia posizionata correttamente. **Se la guarnizione è danneggiata o non montata correttamente si avranno perdite.**

- 2 Avvitare la caraffa sul complessivo delle lame.
- 3 Versare gli ingredienti nella caraffa.
- 4 Inserire il tappo di riempimento nel coperchio, quindi ruotare.
- 5 Bloccare il coperchio sulla caraffa ruotandolo in senso orario.
- 6 Montare il frullatore sul corpo motore e ruotarlo per bloccarlo in posizione ❹.
- 7 Selezionare una velocità oppure utilizzare l'impostazione a intermittenza.
 - **Lasciare che tutti i liquidi giungano a temperatura ambiente prima di versarli nel frullatore. suggerimenti**
 - Quando si prepara la maionese, versare tutti gli ingredienti nel frullatore eccetto l'olio. Ora, con l'apparecchio in funzione, versare l'olio attraverso il tappo di riempimento.
 - Nel caso di miscele dense come paté e salse simili può essere necessario pulire le pareti. Se il composto risulta difficile da frullare aggiungere del liquido.
 - Per sminuzzare il ghiaccio utilizzare l'impostazione a intermittenza a impulsi brevi.
 - Per prolungare la durata del frullatore non tenerlo mai in funzione per più di 60 secondi. Spegnerlo non appena si raggiunge la consistenza desiderata.
 - Non lavorare spezie, potrebbero danneggiare le superfici di plastica.
 - L'apparecchio non funziona se il frullatore è montato in modo scorretto.
 - Non versare ingredienti asciutti nel frullatore prima di metterlo in funzione. Se necessario tagliarli a pezzetti; togliere il tappo di riempimento; ora, con l'apparecchio in funzione, aggiungerli uno ad uno.
 - Non utilizzare il frullatore come un contenitore per la conservazione degli alimenti. Mantenerlo vuoto prima e dopo l'uso.
 - Non frullare mai più di 1,5 litri alla volta – meno in caso di liquidi schiumosi come frappé.

uso degli accessori

15 lama/16 lama per impastare

La lama è il più versatile di tutti gli accessori.

La consistenza ottenuta dipende dal tempo di lavorazione. Per ottenere composti di consistenza meno omogenea, usare l'interruttore a impulsi.

Utilizzare la lama per preparare torte e dolci, macinare carne cruda e cotta, vegetali, noci, preparare pasticci, creme, zuppe cremose e sbriciolare biscotti e pane. Utilizzarla inoltre per preparare impasti a lievitazione se la lama per impastare non è in dotazione.

Usare la lama per impastare per gli impasti a lievitazione.

suggerimenti lama

- Tagliare gli alimenti, come carne, pane o verdure, in cubetti di circa 2 cm prima di lavorarli.
- Spezzettare i biscotti e aggiungerli attraverso il tubo di riempimento mentre l'apparecchio è in funzione.
- Per la preparazione delle torte, usare burro appena estratto dal frigorifero e tagliato in cubetti di 2 cm.
- Non esagerare con il tempo di lavorazione.

lama per impastare

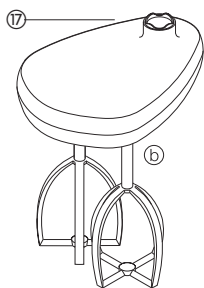
- Introdurre gli ingredienti secchi nel recipiente e aggiungere il liquido attraverso il tubo di riempimento mentre l'apparecchio è in funzione. Lavorare per 60 - 90 secondi fino a ottenere una palla di impasto omogenea ed elastica.
- Reimpastare solo a mano. Si sconsiglia di rimpastare nel recipiente per non compromettere la stabilità dell'apparecchio.

17 sbattitore a due fruste

Usare solo per miscele soffici, ad esempio albumi, panna o latte evaporato e per montare le uova e lo zucchero per il pan di Spagna dietetico. Le miscele più consistenti, come farina e burro, danneggiano lo sbattitore.

uso dello sbattitore

- 1 Inserire l'alberino di rotazione e il recipiente nel blocco motore.
- 2 Spingere e assicurare un frullino alla volta nella testina di rotazione 16.
- 3 Inserire lo sbattitore facendolo girare delicatamente sull'alberino di rotazione fino a incastrarlo.
- 4 Aggiungere gli ingredienti.
- 5 Inserire il coperchio, accertandosi che la parte terminale dell'alberino sia infilata al centro del coperchio.
- 6 Accendere l'apparecchio.



importante

- La frusta non è adatta per preparare torte con preparazione in un unico stadio o per montare burro e zucchero, poiché queste miscele la danneggiano. Per preparare torte utilizzare sempre la lama.

suggerimenti

- I risultati migliori si ottengono quando le uova sono a temperatura ambiente.
- Accertarsi che il recipiente e lo sbattitore siano puliti e privi di qualsiasi traccia di burro prima di azionarli.

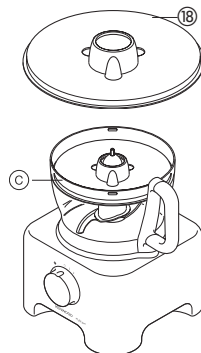
18 maxi calotta

Durante la miscelazione dei liquidi, usare la maxi calotta insieme alla lama. Ciò consentirà di aumentare la capienza del recipiente da 1 litro a 1,5 litri e di ottimizzare le prestazioni di sminuzzamento della lama.

- 1 Inserire l'alberino di rotazione e il recipiente nel motore.
- 2 Inserire la lama.
- 3 Aggiungere gli ingredienti da lavorare.
- 4 Collocare la calotta sopra la lama, accertandosi che poggia sul bordo interno del recipiente 19.

Non esercitare pressione sulla calotta, tenerla per la presa centrale.

- 5 Inserire il coperchio e accendere l'apparecchio.



dischi per affettare e sminuzzare

dischi per affettare e sminuzzare reversibili: spesso 19, sottile 20

Lato per sminuzzare: sminuzza formaggio, carote, patate e alimenti di consistenza simile.

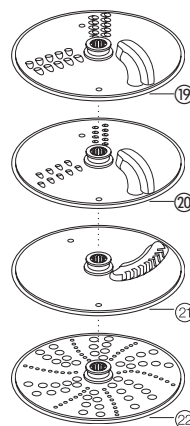
Lato per affettare: affetta formaggio, carote, patate, cavolo, cetrioli, zucchine, barbabietola e cipolle.

disco per sfilettare sottile (stile Julienne) 21

Usare per tagliare patate a bastoncini; ingredienti solidi per insalate, contorni, sughi e frittate miste (ad esempio, carote, zucchine e cetrioli).

disco per grattugiare 22

Grattugia parmigiano e patate per gnocchi di patate alla tedesca.

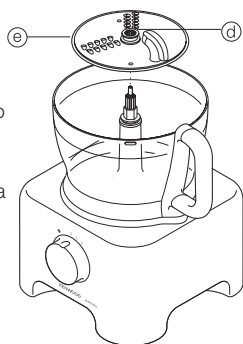


sicurezza

- **Assicurarsi che il disco affilato si sia fermato completamente prima di rimuovere il coperchio.**
- **Maneggiare i dischi affilati con cautela in quanto sono estremamente taglienti**

uso dei dischi affilati

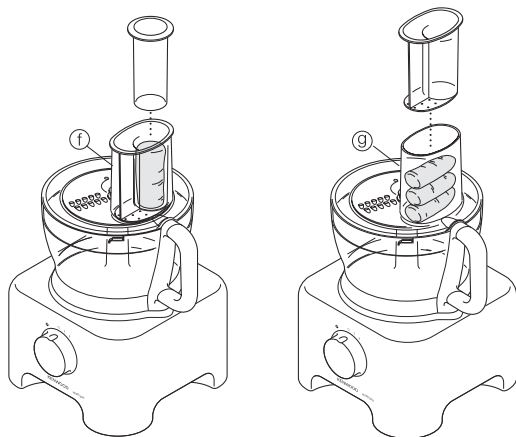
- 1 Inserire l'alberino di rotazione e il recipiente nel motore.
- 2 Tenendolo per la presa centrale, **d**, inserire il disco sull'alberino di rotazione con il lato appropriato rivolto verso l'alto **e**.
- 3 Inserire il coperchio.
- 4 Scegliere il tubo di riempimento della dimensione desiderata. Il pressatore contiene un tubo di riempimento più piccolo per la lavorazione di alimenti singoli o sottili. Per utilizzare il tubo di riempimento piccolo: inserire il pressatore grande nel tubo di riempimento. Per utilizzare il tubo di riempimento grande: usare i due pressatori insieme.



- 5 Introdurre gli alimenti nel tubo di riempimento.
- 6 Accendere l'apparecchio ed esercitare una pressione uniforme con il pressatore. **Non infilare le dita nel tubo di riempimento.**

suggerimenti

- Usare ingredienti freschi
- Non ridurre gli ingredienti in pezzi di dimensioni eccessivamente ridotte. Riempire il tubo più grande quasi fino al bordo. In tal modo si eviterà che i pezzi scivolino di lato durante la lavorazione. In alternativa, usare il tubo piccolo.
- Quando si usa il disco per sfilettare, introdurre gli ingredienti orizzontalmente.
- Per affettare o sminuzzare, gli ingredienti inseriti verticalmente **f** risulteranno tagliati più corti rispetto a quelli posizionati orizzontalmente **g**.
- Dopo la lavorazione, rimarrà sempre un certo quantitativo di residui sul disco o nel recipiente.



23 spremiagrumi

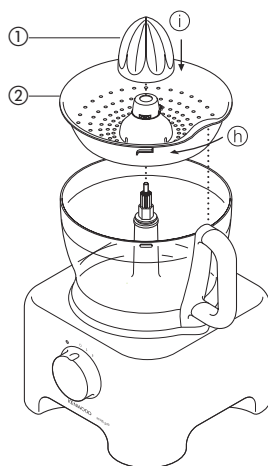
Lo spremiagrumi è indicato per spremere arance, limoni, limoni verdi e pompelmi.

- 1 Cono
- 2 Filtro

per usare lo spremiagrumi

- 1 Inserire l'alberino di rotazione e il recipiente sul blocco motore.
- 2 Inserire il filtro nel recipiente, accertandosi che il manico del filtro sia bloccato in posizione direttamente sopra il manico del recipiente **h**.
- 3 Applicare il cono sull'alberino di rotazione, ruotando fino al completo inserimento **i**.
- 4 Tagliare il frutto a metà. Accendere e premere il frutto sul cono.

● **Lo spremiagrumi non funzionerà se il filtro non è bloccato correttamente.**



24 macinino

Usare il macinino per erbe, frutta secca e chicchi di caffè.

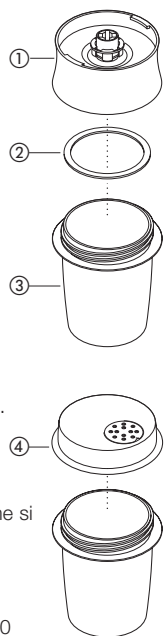
- 1 complessivo delle lame
- 2 anello di tenuta
- 3 caraffa
- 4 coperchio con spolverizzatore

sicurezza

- Non montare mai il gruppo delle lame sull'apparecchio senza prima aver installato la vaschetta.
- Non svitare mai la vaschetta quando è il macinatutto è ancora inserito sull'apparecchio.
- Non toccare le lame affilate. Tenere il complessivo delle lame fuori della portata dei bambini.
- Non smontare mai il tritatutto prima che le lame si siano fermate completamente.

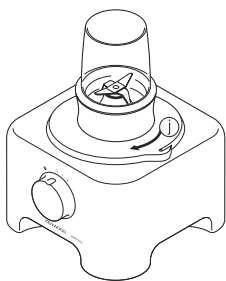
importante

- A garanzia di una lunga durata del macinino, non azionarlo mai continuamente per più di 30 secondi. Spegnerlo non appena gli alimenti hanno raggiunto la consistenza desiderata.
- Non lavorare le spezie, che possono infatti danneggiare la plastica.
- L'apparecchio non funziona se si è installato incorrettamente il macinino.
- Usare esclusivamente ingredienti secchi.



come usare il macinino

- 1 Versare gli ingredienti nella vaschetta, riempiendola per non più di metà.
 - 2 Inserire l'anello di tenuta nel complessivo delle lame.
 - 3 Capovolgere il complessivo delle lame. Abbassarlo sulla vaschetta, tenendo le lame rivolte verso il basso.
 - 4 Avvitare il complessivo delle lame sulla vaschetta, fino a stringerlo a mano.
 - 5 Inserire il tritatutto nel corpo motore e bloccarlo in posizione ruotandolo ①.
 - 6 Impostare sulla velocità massima, oppure usare il controllo ad impulsi.
 - 7 Dopo aver macinato gli ingredienti è possibile rimettere il complessivo delle lame con il coperchio provvisto di spolverizzatore e spolverizzare gli ingredienti come desiderato.
- Si ricorda che il coperchio con spolverizzatore non è ermetico.



consigli

- Le erbe si tritano meglio se sono pulite ed asciutte.

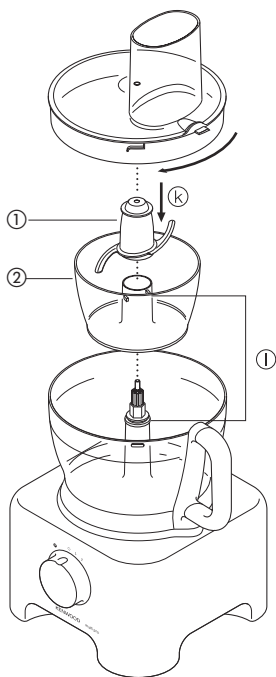
②5 mini-vaschetta

Utilizzare la mini-vaschetta per tritare erbe aromatiche e lavorare ingredienti in piccole quantità, ossia carne, cipolle, noci, maionese, verdure, purea, salse e cibo per neonati.

- ① mini-lama
- ② mini-vaschetta

per usare la mini vaschetta

- 1 Montare l'alberino motore e la ciotola sul corpo motore.
- 2 Inserire la mini-vaschetta, assicurandosi che le sporgenze all'interno della rientranza della mini vaschetta siano allineate con le fessure poste sul raccordo principale ①.
- 3 Inserire la lama sopra l'alberino motore ②.
- 4 Versare gli ingredienti da lavorare.
- 5 Inserire il coperchio e accendere l'apparecchio.



suggerimenti

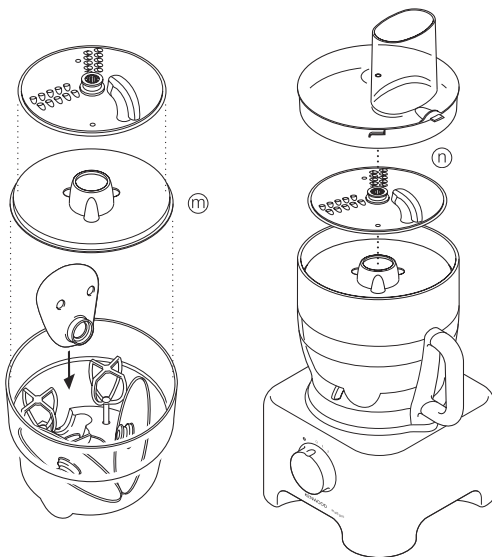
- Le erbe si tritano meglio se sono pulite e asciutte.
- Aggiungere sempre un po' di liquido quando si frullano ingredienti cotti per preparare cibi per neonati.
- Prima di lavorare cibi come carne, pane e verdure tagliarli a cubetti di circa 1-2 cm.
- Quando si prepara la maionese aggiungere l'olio versandolo dal tubo di alimentazione.

②6 porta-accessori circolare KENSTORE™

Il vostro robot da cucina è dotato di un porta-accessori circolare che può essere inserito all'interno della ciotola.

per usare il porta-accessori circolare

- 1 Inserire la lama nella ciotola.
- 2 Ora inserire nel porta-accessori il frullino, i dischi e la calotta ①.
- 3 Collocare il porta-accessori sopra la lama e coprire con il coperchio dell'apparecchio ②.



sicurezza

- Non togliere mai il coperchio prima che la lama si sia fermata completamente.
- La lama è molto affilata, maneggiare con attenzione.

importante

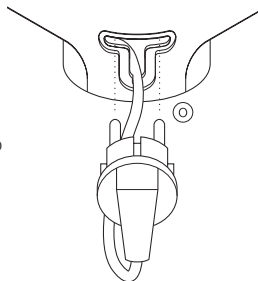
- Non lavorare spezie, potrebbero danneggiare le superfici di plastica.
- Non lavorare cibi troppo duri come caffè, cubetti di ghiaccio o cioccolata – potrebbero danneggiare la lama.

manutenzione e pulizia

- Spegnere sempre e scollegare dalla rete prima di pulire.
- Maneggiare le lame e i dischi affilati con cautela in quanto sono estremamente taglienti.
- Alcuni alimenti possono scolorire la plastica. Ciò rientra nella norma e non danneggia la plastica né pregiudica il gusto degli alimenti. Sfregare con un panno imbevuto di olio vegetale per eliminare la macchia.

gruppo motore

- Pulire con un panno umido, quindi asciugare. Accertarsi che nell'area del meccanismo di sicurezza non ci siano residui di alimenti.
- Avvolgere la lunghezza in eccesso del cavo elettrico nell'apposito vano sul retro dell'apparecchio ☉.



frullatore/macinino

- 1 Svuotare la caraffa/vaschetta prima di svitarla dal gruppo delle lame.
- 2 Lavare a mano la caraffa/vaschetta.
- 3 Togliere e lavare le guarnizioni
- 4 Non toccare le lame affilate, utilizzare una spugna con acqua insaponata per pulirle e sciacquarle abbondantemente con acqua corrente. **Non immergere l'unità lame nell'acqua.**
- 5 Lasciare asciugare capovolta.

sbattitore a due fruste

- Staccare le fruste dalla testa di azionamento tirandole delicatamente. Lavarle in acqua tiepida e sapone.
- Strofinare la testa di azionamento con un panno umido, quindi asciugare. **Non immergere la testa di azionamento nell'acqua.**

tutti gli altri componenti

- Lavare a mano, quindi asciugare.
- Alternativamente è possibile lavarli nel cestello superiore della lavastoviglie. Si consiglia un programma corto a bassa temperatura.

assistenza clienti

- Se il cavo è danneggiato, per ragioni di sicurezza esso deve essere sostituito da Kenwood o da un tecnico autorizzato Kenwood.

In caso di bisogno di aiuto:

- Durante l'uso dell'apparecchio
- Per assistenza o parti di ricambio
Contattare il punto vendita in cui è stato acquistato l'apparecchio.

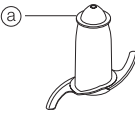
Dansk

Fold forsiden med illustrationerne ud.

før Kenwood-apparatet tages i brug

- Læs denne brugervejledning nøje og opbevar den i tilfælde af, at du får brug for at slå noget op i den.
- Fjern al emballage og mærkater.

sikkerhed

- Knive og plader er meget skarpe og skal behandles forsigtigt. **Hold altid kniven ved fingergrebet (a) i toppen, bort fra skæret, både under brug og rengøring.**
- 
- Løft eller bær ikke maskinen i håndtaget – det kan gå i stykker, hvilket kan medføre personskader.
 - Tag altid kniven af, inden indholdet hældes ud af skålen.
 - Stik ikke hænder og køkkenredskaber ned i foodprocessorens skål, mens den er tilsluttet lysnettet.
 - Sluk for den og tag stikket ud:
 - inden der påsættes eller fjernes dele
 - efter brugen
 - før rengøring
 - Brug aldrig fingrene til at stoppe maden ned i påfyldningstragten. Brug altid de(n) medfølgende nedstopper(e).
 - Før låget fjernes fra skålen eller blenderen/kværnen fra motorenheden:-
 - sluk maskinen;
 - vent til tilbehør/knive står helt stille;
 - Pas på ikke skrue blenderkanden eller kværnen af knivenheden.
 - Lad alle væsker afkøle til stuetemperatur før de kommer i blenderen.
 - Brug ikke låget til at betjene processoren - brug altid den kombinerede afbryder/hastighedsknap.
 - **Maskinen bliver beskadiget, og du risikerer selv at komme til skade, hvis du prøver at omgå sikkerhedslåsen med magt.**
 - Brug aldrig uoriginalt tilbehør.
 - Gå aldrig fra maskinen, mens den kører.
 - Brug aldrig en defekt maskine. Få den eftersat eller repareret: Se under 'service'.
 - Motorhus, ledning eller stik må aldrig blive våde.
 - Lad ikke ledningen hænge ned over bordkant, skærebæret o.lign. Undgå, at den rører ved varme overflader.
 - Overskrid ikke de maximale mængder, der er angivet.
 - Lad aldrig svagelige personer anvende maskinen uden opsyn.
 - Lad ikke børn anvende eller lege med apparatet.
 - Anvend kun apparatet til husholdningsbrug. Kenwood påtager sig ikke erstatningsansvar, hvis apparatet ikke anvendes korrekt eller disse instruktioner ikke følges.

før foodprocessoren tilsluttes

- Se efter, at netspændingen svarer til angivelserne under maskinen.
- Dette udstyr overholder bestemmelserne i direktiv 89/336/EØF, om radiostøjdæmpning.

før ibrugtagning

- 1 Fjern al emballage, inkl. plastovertræk på knivene. **Pas på - bladene er meget skarpe.** Plastovertrækkene bør kasseres - de er kun beregnet på at beskytte knivene under produktion og transport.
- 2 Vask delene, se under 'rengøring'
- 3 Skub overskydende ledning ind bag på maskinen.

forklaring

processor

- ① motorhus
- ② aftagelig drivaksel
- ③ skål
- ④ låg
- ⑤ påfyldningstragt
- ⑥ nedstopper
- ⑦ sikkerhedslåse
- ⑧ ledningsopbevaring
- ⑨ Hastighedskontrol

blender

- ⑩ påfyldningsdæksel
- ⑪ låg
- ⑫ kande
- ⑬ tætningsring
- ⑭ knivenhed

andet tilbehør

Ikke alt tilbehør beskrevet nedenfor er inkluderet sammen med din foodprocessor. Tilbehør afhænger af modeltypen.

- ⑮ kniv
- ⑯ ælteredskab
- ⑰ dobbelt metalpiskeris med tandhjul
- ⑱ maxi-blenderindsats
- ⑲ tyk snitte-/grov riveplade
- ⑳ tynd snitte-/fin riveplade
- ㉑ fin bølge-snitteplade
- ㉒ raspeplade
- ㉓ citruspresser
- ㉔ kværn
- ㉕ mini-processorskål
- ㉖ KENSTORE™ tilbehørskarrusel
- ㉗ dejskraber

valg af hastighed til alle funktioner

Redskab/tilbehør	Funktion	Hastighed	Maximale mængder
Kniv	Kagedej i ét trin Butterdej – blanding af fedtstof i mel Tilsætning af vand til blanding af ingredienser Hakning/purering/postejer	1 – 2 2 1 – 2 2	1,5 kg vægt i alt 340 g melvægt 600 g kød
Kniv med maxi-blenderindsats	Supper – start på en lav hastighed og sæt hastigheden op til 2	1 – 2	1,5 liter
Piskeris	Æggehvider Æg & sukker til sukkerbrødsdej Fløde	2 2 1 – 2	6 æggehvider 500 ml
Ælteredskab	Gærdeje	2	600 g
Plader – snitte/rive/finsnitte	Faste madvarer, f.eks. gulerødder, faste oste Blødere madvarer, f.eks. agurker, tomater	2 1	
Raspeplade	Parmesanost, kartofler til tyske kartoffelfrikadeller	2	
Citruspresser	Citrusfrugter	1	
Mini-skål & kniv	Alt arbejde	2	200 g
Blender	Alt arbejde	2	1,5 liter
Kværn	Alt arbejde	2	

sådan bruges foodprocessoren

- 1 Sæt den aftagelige aksel på motorenheden ① .
 - 2 Sæt så skålen fast. Lad håndtaget vende bagud og drej det med uret, til det låses fast ② .
 - 3 Sæt tilbehør ned over drivakslen.
 - Sæt altid skål og tilbehør fast på maskinen, inden der fyldes ingredienser i.
 - 4 Påsæt låget ③ - se efter, at toppen af drivakslen er på plads midt i låget.
 - **Brug ikke låget til at betjene processoren; brug altid den kombinerede afbryder/hastighedsknap.**
 - 5 Tænd og vælg en hastighedsindstilling.
 - **Foodprocessoren kan ikke starte, hvis skål og låg er sat forkert på.**
 - Anvend start/stop-knappen (P) til at køre med afbrydelser. Maskinen kører, så længe knappen holdes i den pågældende position.
 - 6 Læg, tilbehør og skål fjernes i omvendt rækkefølge af den beskrevne procedure.
 - **Sluk altid for maskinen, inden låget fjernes.**
- vigtigt**
- Processoren egner sig ikke til at knuse eller male kaffebønner, eller til at lave stødt melis om til formelis.
 - Når der tilsættes mandelessens eller krydderier: Undgå, at de kommer i berøring med plastik. Det kan give misfarvning, der ikke kan fjernes.

sådan bruges blenderen

- 1 Sæt tætningsringen ⑬ ind i knivenheden ⑭ – sørg for at den sidder rigtigt.
 - **Hvis tætningsringen er beskadiget eller ikke sidder rigtigt, vil der komme utætheder.**
 - 2 Skru kanden på knivenheden.
 - 3 Kom ingredienserne i kanden.
 - 4 Sæt påfyldningsdækslet i låget og drej det.
 - 5 Drej låget i retning med uret for at låse det fast på kanden.
 - 6 Sæt blenderen på strømudtaget og drej den, til den låser ④ .
 - 7 Vælg en hastighed eller brug start/stop-knappen.
 - **Lad alle væsker afkøle til stuetemperatur før de kommes i blenderen.**
- tips**
- Til mayonnaise hældes alle ingredienserne, undtagen olien, i blenderen. Hæld olien ned i påfyldningsdækslet, mens maskinen kører, og lad den løbe igennem.
 - Tykke blandinger, f.eks. til postejer og dip, skal måske skrabbes ned. Tilsæt mere væske, hvis blandingen er tung at bearbejde.
 - Ved knusning af is bruges start/stop-knappen.
 - Lad aldrig blenderen køre længere end 60 sekunder ad gangen for at sikre, at den holder længst muligt. Sluk for blenderen, så snart konsistensen er rigtig.
 - Blend ikke krydderier – de kan beskadige plastikdelene.
 - Maskinen virker ikke, hvis blenderen er sat forkert på.
 - Kom ikke tørre ingredienser i blenderen, før den startes. Skær dem eventuelt i mindre stykker; fjern påfyldningsdækslet og kom stykkerne i én ad gangen, mens maskinen kører.
 - Brug ikke blenderen som opbevaringsbeholder. Lad den stå tom før og efter brug.
 - Blend aldrig mere end 1½ liter – mindre når det drejer sig om væsker, der skummer, f.eks. milkshake.

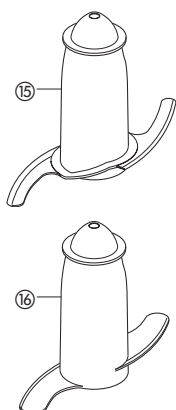
brug af tilbehør

15) kniv/16) dejredskab

Kniven er den mest alsidige af alle tilbehørsdelene. Det er forarbejdningstiden, der bestemmer konsistensen. Brug start-/stop funktionen, hvis konsistensen skal være lidt grov. Kniven kan bruges til at lave kager og bagværk, hakke rå og tilberedt kød, grøntsager, nødder, pate, dip, til at pure saucer, og også til at lave rasp af kiks og brød. Den kan også bruges til dejblandinger med gær, hvis æltereds-kabet ikke medfølger. Brug æltereds-kabet til blandinger med gær.

tips kniv

- Skær madvarer som kød, brød, grøntsager ud i 2 cm tern, inden de forarbejdes.
 - Kiks bør brækkes i mindre stykker og tilsættes gennem påfyldningstragten, mens maskinen kører.
 - Til bagværk bruges fedtstoffet direkte fra køleskabet og skæres i 2 cm tern.
 - Pas på ikke at lade det køre for længe.
- #### æltereds-kab
- Læg de tørre ingredienser i skålen; tilsæt væsken gennem påfyldningstragten, mens maskinen kører. Lad maskinen køre, indtil der dannes en blød, smidig dejklump - dvs. 60-90 sekunder.
 - 2. gang æltes kun i hånden. Det frarådes at ælte 2. gang i skålen, da processoren kan komme ud af balance.

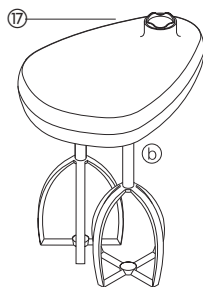


17) piskersæt

Må kun bruges til lette blandinger, f.eks. æggehvider, fløde, kondenseret mælk, samt til at piske æg og sukker til sukkerbrodskager. Tungere blandinger med f.eks. fedtstof og mel vil beskadige piskerne.

brug af piskereds-kab

- 1 Sæt drivakslen og skålen på motordelen.
- 2 Tryk de to piskere godt op i drivhovedet (b).
- 3 Sæt piskeren godt fast ved forsigtigt at dreje den, til den falder ned over drivakslen.
- 4 Tilsæt ingredienserne.
- 5 Sæt låg på - sørg for, at enden af akslen sidder i midten af låget.
- 6 Tænd maskinen.



vigtigt

- Piskeriset egner sig ikke til at lave kagedej i ét trin eller til at røre fedtstof og sukker, da disse blandinger vil beskadige det. Brug altid kniven til at røre kagedej.

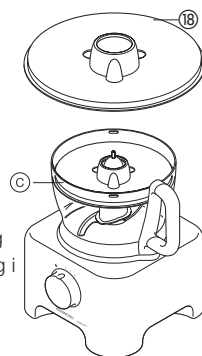
tips

- Resultatet bliver bedst, hvis æggene har stuetemperatur.
- Sørg for, at skål og piskere er rene og fri for fedtstof, inden der piskes.

18) maxi blenderindsats

Til blendning af væske bruger man maxi blenderindsatsen sammen med kniven. Den øger den mængde væske, der kan forarbejdes, fra 1 liter til 1,5 liter. Sivning undgås, og bladet finder bedre.

- 1 Sæt drivaksel og skål på motordelen.
- 2 Sæt kniven på.
- 3 Tilsæt de madvarer, der skal forarbejdes.
- 4 Sæt blenderindsatsen ned over kniven og sørg for, at den hviler på kanten indvendig i skålen (c). **Tryk ikke blenderindsatsen ned; hold den i grebet i midten.**
- 5 Sæt låg på og tænd maskinen.



snitte-/riveplader

dobbeltsidede snitte-/riveplader

- tyk 19, tynd 20

Brug rive-siden til ost, gulerødder, kartofler og mad med lignende konsistens.

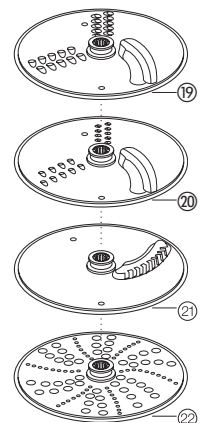
Brug snitte-siden til ost, gulerødder, kartofler, kål, agurk, squash, rødbeder og løg.

plade til tynde bølgede skiver (f.eks. kartoffelchips) 21

Bruges til at skære: kartofler til bølgechips; faste ingredienser til salat, garniture, sammenkogte retter og wok-retter (f.eks. gulerod, kålroe, squash, agurk).

raspeplade 22

River parmesanost og kartofler til tyske kartoffelfrikadeller.



sikkerhed

- **Tag aldrig låget af, før snittepladen står helt stille.**
- **Behandl skærepladerne forsigtigt - de er særdeles skarpe**

sådan bruges skærepladerne

1 Sæt drivaksel og skål på motordelen.

2 Hold pladen i grebet i midten (d), sæt den ned over drivakslen med den ønskede side opad (e).

3 Sæt låget på.

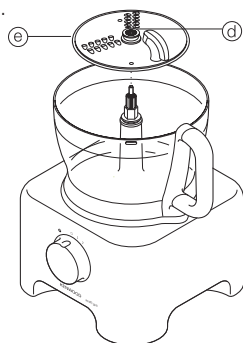
4 Vælg den størrelse påfyldningstragt, der skal bruges. Nedstopperen indeholder en mindre påfyldningstragt, der bruges til enkelte stykker eller tynde ingredienser.

Hvis den lille påfyldningstragt skal bruges - sæt først den store nedstopper ned i påfyldningstragten.

Hvis den store påfyldningstragt skal bruges - brug begge nedstoppere sammen.

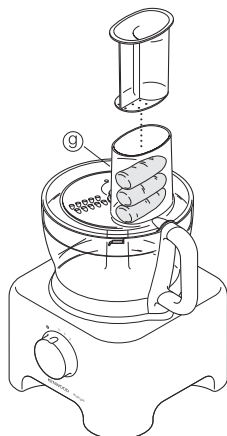
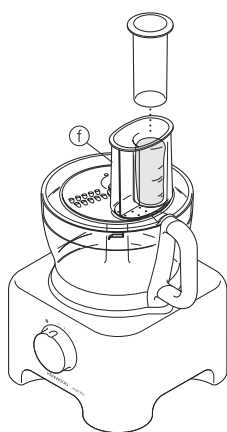
5 Læg ingredienserne i påfyldningstragten.

6 Tænd maskinen og tryk jævnt med nedstopperen - **stik aldrig fingrene ned i påfyldningstragten.**



tips

- Brug friske madvarer
- Lad være med at skære dem for fint ud. Fyld påfyldningstragten næsten op. Det hindrer, at maden smutter ud til siden under bearbejdningen. Man kan eventuelt bruge den lille påfyldningstragt.
- Når snittepladen til tynde skiver bruges, lægges ingredienserne vandret.
- Når maden skives eller strimles: de dele, der sættes på højkant (f) bliver kortere end dem, der lægges vandret (g).
- Der bliver altid en lille smule tilbage på pladen eller i skålen efter bearbejdningen.



23 citruspresser

Brug citruspresseren til at presse saften ud af citrusfrugter (f.eks. appelsin, citron, lime og grapefrugt).

① riflet kegle

② si

sådan bruges citruspresseren

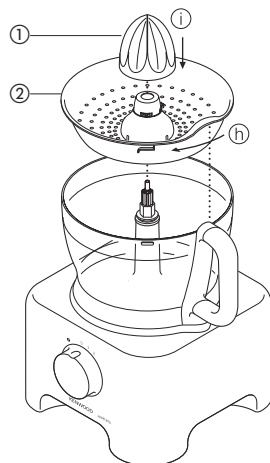
1 Sæt drivakslen og skålen på motordelen.

2 Sæt sien ned i skålen - sørg for, at siens håndtag låses på plads lige over håndtaget på skålen (h).

3 Sæt keglen ned over drivakslen og drej den, til den falder ned på plads (i).

4 Skær frugten midt over. Tænd for maskinen og tryk frugten ned over keglen.

• **Citruspresseren kan ikke starte, hvis sien ikke er låst rigtig fast.**



24 kværn

Kværnen anvendes til at male krydderurter, nødder og kaffebønner.

① knivenheden

② tætningsring

③ glas

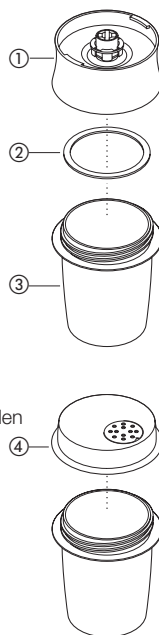
④ strørlåg

sikkerhed

- Sæt aldrig knivenheden på maskinen, uden at glasset sidder på.
- Skru aldrig glasset af, mens universalkværnen sidder på maskinen.
- Rør ikke ved de skarpe knive. Hold knivenheden væk fra børn.
- Fjern aldrig kværnen, før knivene helt er holdt op med at dreje.

vigtigt

- Lad aldrig kværnen arbejde længere end 30 sekunder ad gangen, så holder den længst muligt. Sluk for maskinen, så snart den rette konsistens er opnået.
- Krydderier må ikke males i maskinen - de kan beskadige plasticmaterialet.
- Maskinen virker ikke, hvis kværnen ikke er sat korrekt på.
- Må kun anvendes til tørre ingredienser.



sådan anvender du kværnen

- 1 Kom ingredienserne i glasset. Fyld det aldrig mere end halvt op.
- 2 Sæt tætningsringen i knivenheden.
- 3 Vend knivenheden på hovedet. Sænk den ned i glasset med knivene nedad.
- 4 Skru knivenheden på glasset, til den er fingerstram.
- 5 Sæt kværnen på strømudtaget og drej den, til den er låst fast ①.
- 6 Tænd for maskinen på maximal hastighed eller brug impulsfunktionen.
- 7 Efter maling kan strølåget sættes på i stedet for knivenheden og ingredienserne kan rystes ud.

- Strølåget er ikke lufttæt.

tips

- Det er bedst at male krydderurter, når de er rene og tørre.

②5 mini-processorskål

Anvend mini-processorskålen til at hakke krydderurter og behandle små mængder af ingredienser, f.eks. kød, løg, nødder, mayonnaise, grøntsager, puré, sauce og baby mad.

- ① kniv til mini-processoren
- ② mini-processorskål

sådan bruges mini-processorskålen

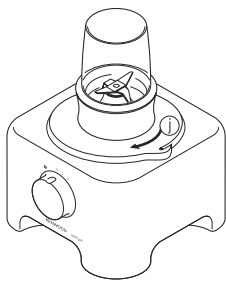
- 1 Sæt drivakslen og skålen på motorenheden.
- 2 Sæt mini-processorskålen på – sørg for, at ribberne på indersiden af mini-skålens skorsten er rettet ind med udskæringerne i hovedskorstenen ①.
- 3 Sæt kniven ned over drivakslen ②.
- 4 Kom de ingredienser, der skal behandles, i.
- 5 Sæt låget på og tænd for maskinen.

sikkerhed

- Fjern aldrig låget, før kniven helt er holdt op med at dreje.
- Kniven er meget skarp – den skal altid behandles med forsigtighed.

vigtigt

- Behandl ikke krydderier – de kan beskadige plastikdelene.
- Behandl ikke hårde madvarer, f.eks. kaffebønner, isterninger og chokolade – de kan beskadige kniven.



tips

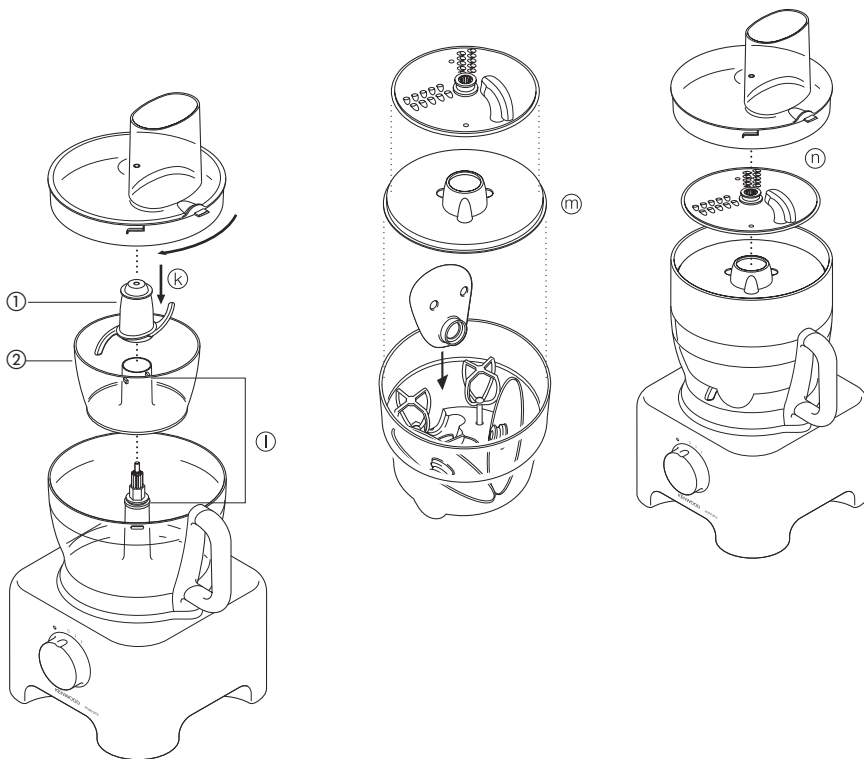
- Det er bedst at hakke krydderurter, når de er rene og tørre.
- Tilsæt altid lidt væske, når der blendes kogte ingredienser til baby mad.
- Skær madvarer som f.eks. kød, brød, grøntsager i terninger på ca. 1-2 cm før bearbejdningen.
- Når der laves mayonnaise, skal olien tilsættes gennem tilførselsrøret.

②6 KENSTORE™ tilbehørskarrusel

Med foodprocessoren følger en tilbehørskarrusel, som sættes ind i skålen.

sådan bruges tilbehørskarusellen

- 1 Sæt kniven fast på skålen.
- 2 Sæt så piskeriset, pladerne og indsatsen ind i karrusellen ①.
- 3 Sæt karrusellen over kniven og anbring processorlåget ovenpå ②.

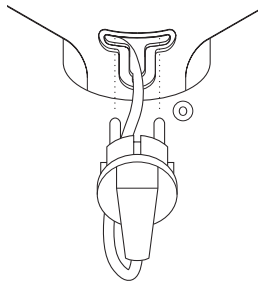


vedligeholdelse og rengøring

- Sluk altid for maskinen og tag stikket ud, inden den gøres ren.
- Behandl kniv og snitteplader forsigtigt - de er særdeles skarpe.
- Visse fødevarer misfarver plastdelene. Det er ganske normalt og skader ikke plastikken eller giver afsmag i maden. Misfarvninger kan fjernes ved at gnide dem med en klud dyppet i spiseolie.

motordel

- Aftørres med en fugtig klud; tør efter. Sørg for, at området omkring sikkerhedslåsen er fri for madrester.
- Opbevar overskydende ledning i rummet bag på maskinen ①.



blender/kværn

- 1 Tøm kanden/glasset, før den/det skrues af knivenheden.
- 2 Vask kanden/glasset i hånden.
- 3 Tag tætningsringene af og vask dem.
- 4 Undgå at berøre de skarpe knive - børst dem rene med varmt sæbevand og skyl grundigt efter under hanen. **Kniven må ikke sænkes ned i vandet.**
- 5 Lufttørret med bunden opad.

piskersæt

- Tag piskerne af drivhovedet ved forsigtigt at trække dem ud. Vask dem i varmt sæbevand.
- Aftør piskerdrevet med en fugtig klud; tør efter. **Piskerens drivhoved må ikke sænkes ned i vandet.**

alle andre dele

- Vaskes i hånden og tørres af.
- Alternativt kan de vaskes på øverste stativ i opvaskemaskinen. Et kort program med lav temperatur anbefales.

service og kundetjeneste

- Hvis ledningen bliver beskadiget, skal den, af hensyn til sikkerheden, udskiftes af Kenwood eller en autoriseret Kenwood-reparatør.

Hvis du har brug for råd om:

- Brugen af maskinen
 - Service eller reparation
- Henvend dig i den forretning, hvor maskinen er købt.

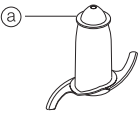
Svenska

Vik ut framsidan med illustrationerna innan du börjar läsa

innan du använder din Kenwood-apparat

- Läs bruksanvisningen noggrant och spara den för framtida bruk.
- Avlägsna allt emballage och alla etiketter.

säkerhet

- Var försiktig! Knivbladen och skivorna är mycket vassa. **Håll alltid i kniven i "handtaget" (a) högst upp (så långt bort som möjligt från själva eggen) både när du använder och diskar den.**
- 
- Lyft eller bär inte matberedaren i handtaget. Då kan handtaget gå sönder och du kanske skadar dig.
 - Ta alltid bort kniven innan du tömmer skålen.
 - Stick inte ner händer eller redskap i skålen eller mixerkannan när kontakten är i.
 - Stäng av apparaten och dra ur kontakten:
 - innan du monterar eller tar bort delar
 - efter användning
 - före rengöring
 - Använd aldrig fingrarna för att trycka ner bitar i matarröret. Använd alltid matarstaven (-arna) som levererades med matberedaren.
 - Innan du tar av locket från skålen eller mixern/kvarnen:
 - stänga av;
 - vänta tills tillbehören/knivbladen är helt stilla;
 - Var försiktig så att du inte skruvar av mixerkannan eller kvarnen från bladenheten.
 - Låt all vätska svalna till rumstemperatur innan du håller den i mixern.
 - Använd inte locket för att reglera matberedaren utan använd alltid hastighetsreglaget i av/på-vredet.
 - **Apparaten kan gå sönder och eventuellt orsaka personskada om låsmekanismen utsätts för våld.**
 - Använd endast tillbehör som är direkt avsedda för denna apparat.
 - Håll alltid ett öga på den när den är på.
 - Använd aldrig matberedaren om den är trasig. Lämna in den för genomgång eller reparation: se "service".
 - Låt aldrig strömenhet, sladd eller kontakt bli våta.
 - Låt inte överflödiga sladd hänga ner över kanten på bordet eller arbetsbänken eller komma åt en het yta.
 - Överstig inte de angivna maxmängderna.
 - Låt inte förståndshandikappade använda produkten utan tillsyn.
 - Låt inte barn använda eller leka med apparaten.
 - Använd apparaten endast för avsett ändamål i hemmet. Kenwood tar inte på sig något ansvar om apparaten används på felaktigt sätt eller om dessa instruktioner inte följs.

före inkoppling

- Kontrollera att elektriciteten i din bostad överensstämmer med specifikationerna på apparatens undersida.
- Denna enhet uppfyller EU-direktivet 89/336/EEC.

före användning

- 1 Ta bort allt förpackningsmaterial, inklusive plastskydden på kniven. **Var försiktig! Knivbladen är mycket vassa.** Kassera plastskydden, eftersom de endast behövs under tillverkning och frakt.
- 2 Diska alla delar (se "rengöring")
- 3 För att förhindra att det ligger för mycket sladd framme kan du skjuta in överskottet på apparatens baksida.

förklaring till bilder

matberedare

- ① strömenhet
- ② löstagbar drivaxel
- ③ skål
- ④ lock
- ⑤ matarrör
- ⑥ matarstav
- ⑦ säkerhetsföreglingar
- ⑧ sladdförvaring
- ⑨ hastighetskontroll

mixer

- ⑩ påfyllningslock
- ⑪ lock
- ⑫ kanna
- ⑬ packningsring
- ⑭ knivhållare

ytterligare tillbehör

Eventuellt medföljer inte alla tillbehören i nedanstående lista matberedaren. Tillbehören varierar mellan olika modeller.

- ⑮ knivblad
- ⑯ degredskap
- ⑰ växlad metallvisp
- ⑱ visplock
- ⑲ grov skivnings/strimlingskiva
- ⑳ fin skivnings/strimlingskiva
- ㉑ fin pommes frites-skiva
- ㉒ rivningskiva
- ㉓ växlad citrusfruktspress
- ㉔ kvarn
- ㉕ matberedarskål
- ㉖ tillsatskarusell KENSTORE™
- ㉗ spatel

välja hastighet för de olika funktionerna

Verktyg/tillsats	Funktion	Hastighet	Maxmängder
Knivblad	Allt-i-ett-kaka	1 – 2	1,5 kg totalvikt
	Pajdeg – finfördela fettet i mjölet	2	340 g mjöl
	Tillsätta vatten till pajdegen	1 – 2	
	Hacka/puréa/patéer	2	600 g kött
Knivblad med visplock	Soppor – börja vid låg hastighet och gå upp till 2	1 – 2	1,5 liter
Visp	Äggvita	2	6 äggvitor
	Ägg och socker till sockerkaka	2	
	Grädde	1 – 2	5 dl
Degredskap	Jästdeg	2	600 g
Skivor – skivning/strimling/hackning	Fasta livsmedel såsom motor, hård ost	2	
	Mjukare livsmedel såsom gurka, tomat	1	
Rivningsskiva	Parnesanost, potatis till kroppkakor	2	
Citrusfruktpress	Citrusfrukter	1	
Miniskål och kniv	All matberedning	2	200 g
Mixer	All matberedning	2	1,5 liter
Kvarn	All matberedning	2	

använda matberedaren

- Montera den borttagbara axeln på kraftenheten ❶.
- Sätt sedan fast skålen. Låt handtaget peka bakåt och vrid sedan medurs tills skålen låses fast ❷.
- Sätt på ett tillbehör på drivaxeln.
 - Montera alltid ihop skål, tillbehör och själva matberedaren innan du lägger i ingredienserna.
- Sätt på locket ❸ - kontrollera att den översta delen av drivaxeln hamnar mitt i locket.
 - Använd inte locket för att reglera matberedaren utan använd alltid hastighetsreglaget i av/på-vredet.**
- Slå på och välj en hastighet.
 - Matberedaren fungerar inte om skål och lock inte är korrekt monterade.**
 - Använd momentaninställningen (P) om du bara vill köra matberedaren helt kort. Då går den så länge som reglaget hålls i det läget.
- Följ anvisningarna ovan i omvänd ordning för att ta loss skålen, locket och tillbehören.
 - Stäng alltid av beredaren innan du tar av locket. viktigt**
 - Matberedaren lämpar sig inte för att krossa eller mala kaffeböner eller göra strösocker till florsocker.
 - När du tillsätter bittermandelessens eller andra smaktillsatser måste du undvika att dessa kommer i direktkontakt med plasten, eftersom det kan orsaka bestående missfärgningar.

använda mixern

- Lägg i tätningringen ❸ i bladenheten ❹ och se till att den tätar ordentligt.
 - Om tätningringen är skadad eller fel ilagd läcker mixern.**
- Skruva fast kannan på bladenheten.
- Lägg ingredienserna i kannan.
- Lägg i påfyllningslocket i locket och vrid.
- Vrid locket medurs för att låsa fast det på kannan.
- Sätt mixern på kraftdelen och vrid fast den ❹.
- Markera en hastighet eller använd momentanreglaget.
 - Låt all vätska svalna till rumstemperatur innan du håller den i mixern.**
 - tips**
 - För att göra majonnäs lägger du alla ingredienserna i mixern utom oljan. Lås sedan maskinen gå och håll oljan i påfyllningslocket och låt det rinna genom.
 - Du kan behöva skrapa mer tjocka blandningar t.ex. patéer och dipsåser. Om blandningen är svårarbetad kan du tillsätta mer vätska.
 - För att krossa is använder du momentanfunktionen i korta pass.
 - För att din mixer ska hålla länge bör du inte köra den längre än 60 sekunder i taget. Stäng av så snart som du fått rätt konsistens.
 - Kör inte kryddor. Då kan plasten skadas.
 - Maskinen fungerar inte om mixern har satts på fel.
 - Lägg inte torra ingredienser i mixern innan du kopplar på den. Skär dem vid behov i bitar, ta ut påfyllningslocket och släpp sedan ned dem en i taget medan maskinen går.
 - Använd inte mixern som förvaringskärl. Den måste vara tom när den inte används.
 - Mixa aldrig mer än 1½ liter, eller inte ens det vid skummande vätskor som milkshakes.

använda tillbehören

15 kniv/16 degknådare

kniven är det mest mångsidiga tillbehöret. Konsistensen avgörs av hur länge man kör. Använd momentanreglaget för grövre konsistens.

Använd kniven när du gör mjuka kakor och pajdeg, hackar grönsaker, nötter, och rått och kokt kött, gör paté och dipsåser, puréar soppor och också när du gör ströbröd av kakor och bröd. Den kan även användas till jäsdeg om du inte har någon degknådare.

Använd degknådarknåden till jäsdeg.

tips

kniv

- Skär livsmedel som kött, bröd och grönsaker i cirka 2 cm stora tärningar före körningen.
- Bryt kakor i småbitar och släpp ner i matarröret medan maskinen är igång.
- När du gör pajdeg tar du fett direkt från kylen och skär i 2 cm stora tärningar.
- Var noga med att inte bearbeta degen för länge.

degknådare

- Lägg de torra ingredienserna i skålen och tillsätt vätskan genom matarröret, när apparaten är igång. Kör tills det bildats en slät och smidig degklump (60 - 90 sekunder).
- Efter jäsning ska degen endast knådas för hand. Det är inte tillrådligt att knåda den i skålen, eftersom det kan göra matberedaren instabil.

17 dubbelvisp

Vispen ska endast användas till lätta, t.ex. äggvita, grädde, torrmjöl, och när du vispar ägg och socker till sockerkaka. Den förstörs av tyngre blandningar, som fett och mjöl.

använda vispen

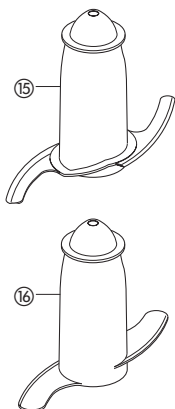
- 1 Sätt fast drivaxeln och skålen på strömenheten.
- 2 Tryck in båda visparna stadigt i drivhuvudet (b).
- 3 Montera vispen genom att vrida den försiktigt tills den faller ner över drivaxeln.
- 4 Tillsätt ingredienserna.
- 5 Sätt på locket - kontrollera att änden på axeln hamnar mitt i locket.
- 6 Slå på.

viktigt

- Vispen lämpar sig inte för allt-i-ett-kakor, eller kaksmet där man börjar med att blanda fett och socker. Då kan vispen skadas. Använd alltid knivbladet för sådan kaksmet.

tips

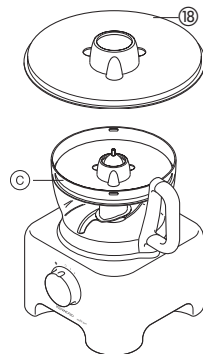
- Du får bäst resultat om äggen har rumstemperatur.
- Se till att skål och vispar är rena och fria från fett innan du vispar.



18 mixerkåpa

När du ska mixa vätskor använder du mixerkåpan tillsammans med kniven. På det sättet kan du öka den körda mängden vätska från 1 liter till 1,5 liter; läckage förhindras och kniven fungerar effektivare.

- 1 Sätt fast drivaxeln och skålen på strömenheten.
- 2 Montera kniven.
- 3 Tillsätt ingredienserna.
- 4 Sätt på mixerkåpan över kniven och kontrollera att den vilar mot listen på skålens insida (c). **Tryck inte ner mixerkåpan; ta tag i hållaren mitt på.**
- 5 Sätt på locket och slå på apparaten.



skär- och strimlingskivor

vändbara skär- och strimlingskivor - tjock 19, tunn 20

Använd strimlingskivorna till ost, morötter, potatis och livsmedel med liknande konsistens.

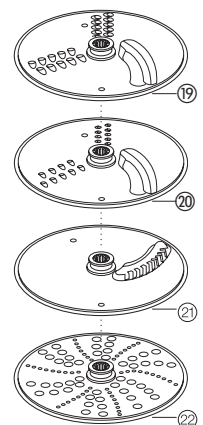
Använd skärsidan till ost, morötter, potatis, vitkål, gurka, zucchini, rödbetor och lök.

skiva för strimlor av juliennetyp 21

Används för att skära: potatis till extra finstrimlade pommes frites; fasta ingredienser i sallader, garnityr, grytor och "stir fry" (t.ex. morot, kålrot, zucchini, gurka).

rivskiva 22

River Parmesan-ost eller potatis till raggmunk.

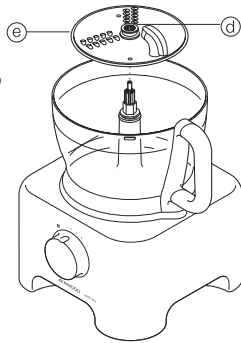


säkerhet

- **Ta aldrig av locket förrän skärskivan är helt stilla.**
- **Var försiktig när du hanterar skärskivorna - de är extremt vassa**

använda skärskivorna

- 1 Sätt fast drivaxeln och skålen på strömenheten.
- 2 Ta tag i hållaren mitt på **(d)** och lägg skivan på drivaxeln med rätt sida upp **(e)**.



- 3 Sätt på locket.
- 4 Välj vilken storlek på matarrör du vill använda. I matarstaven finns det ett mindre matarrör för bearbetning av enskilda bitar eller tunna ingredienser.

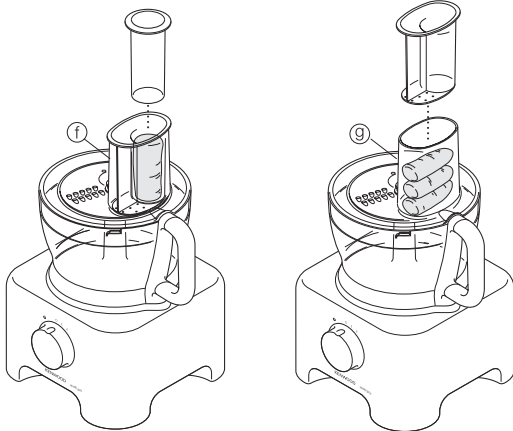
När du vill använda det mindre matarröret placerar du först den stora matarstaven i matarröret.

När du vill använda det stora matarröret använder du båda matarstavarna tillsammans.

- 5 Lägg livsmedlen i matarröret.
- 6 Slå på matberedaren och tryck ner livsmedlen i jämn takt med matarstaven - **stoppa aldrig in fingrarna i matarröret.**

tips

- Använd färsk ingredienser
- Skär inte livsmedlen i alltför små bitar. Fyll på det stora matarröret så att det är tämligen fullt även på bredden. Det gör att livsmedlen inte lägger sig på sidan under körningen. Alternativt använder du det lilla matarröret.
- När du använder strimlingskivan lägger du ingredienserna vågrätt.
- Om du ställer livsmedlet lodrätt **(f)** när du strimlar eller skivar blir bitarna mindre än om det läggs vågrätt **(g)**.
- Det kommer alltid att finnas lite rester på skivan eller i skålen efter körningen.



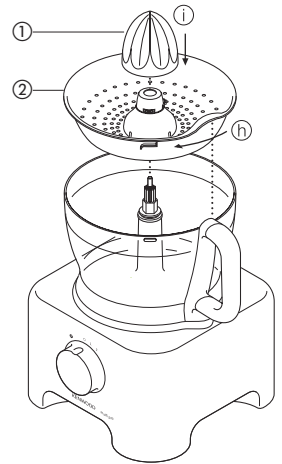
23 citruspress

Använd citruspressen för att pressa juice från citrusfrukter (t.ex. apelsiner, citroner, lime och grapefrukt).

- 1 kon
- 2 sil

använda citruspressen

- 1 Sätt fast drivaxeln och skålen på strömenheten.
- 2 Passa in silen i skålen - kontrollera att handtaget på silen är i låst läge, direkt ovanför handtaget på skålen **(h)**.
- 3 Sätt konen på drivaxeln och vrid runt tills den har gått hela vägen ner **(i)**.
- 4 Skär frukten i halvor. Slå sedan på apparaten och tryck frukten mot konen.



- **Citruspressen fungerar inte om silen inte är korrekt låst.**

24 kvarnen

Använd kvarnen för att mala örter, kryddor, nötter och kaffeböner.

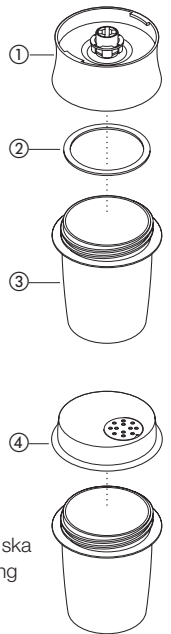
- 1 bladenhet
- 2 tätningring
- 3 burk
- 4 ströarlock

säkerhet

- Montera aldrig bladen på maskinen utan att kannan är monterad.
- Skruva aldrig bort burken medan multikvarnen sitter på maskinen.
- Vidrör inte de vassa bladen. Håll bladenheten utom räckhåll för barn.
- Ta aldrig bort kvarnen förrän bladen har stannat helt.

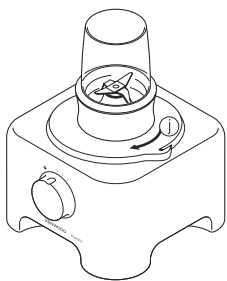
viktigt

- För att kvarnen ska hålla så länge som möjligt ska du aldrig köra den längre än 30 sekunder. Stäng av så snart du fått rätt konsistens.
- Mixa/mal inte kryddor - de kan skada plasten.
- Maskinen fungerar inte om kvarnen är felmonterad.
- Använd kvarnen bara för torra ingredienser.



hur du använder kvarnen

- 1 Lägg ingredienserna i burken. Fyll den inte mer än till hälften.
- 2 Montera tätningsseringen i bladenheten.
- 3 Vänd bladenheten upp-och-ner.
- 4 Skruva på bladenheten på burken så hårt det går för hand.
- 5 Sätt kvarnen på kraftdelen och vrid fast den ①.
- 6 Koppla på på högsta hastighet eller använd momentanknappen.
- 7 Efter malningen kan du byta ut bladenheten mot ströarlocket och ströa det malda.



- Ströarlocket är inte lufttätt.

tips

- Örtkryddor är lättast att mala när de är rena och torra.

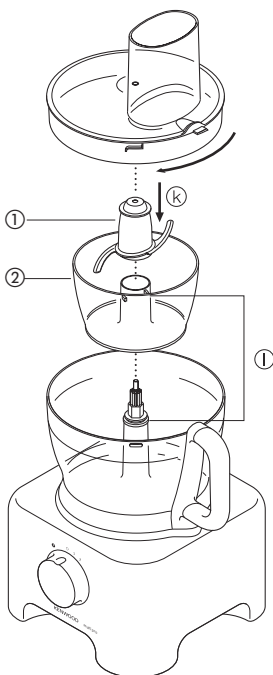
②5 miniskål för matberedare

Använd miniskålen för att hacka örtkryddor och köra små mängder såsom kött, lök, nötter, majonnäs, grönsaker, puréer, såser och barnmat.

- ① kniv till miniskål
- ② miniskål

använda miniskålen

- 1 Montera drivaxeln och skålen på kraftdelen.
- 2 Sätt på miniskålen och se till att åsarna på insidan av miniskålen passar in i skårorna i det större matarröret ①.
- 3 Sätt knivbladet på drivaxeln ②.
- 4 Tillsätt ingredienserna som ska köras.
- 5 Sätt på locket och koppla på.



säkerheten

- Ta aldrig bort locket förrän knivbladet har stannat helt.
- Knivbladet är mycket vasst. Hantera det med försiktighet.

viktigt

- Kör inte kryddor. Då kan plasten skadas.
- Kör inte hårda livsmedel såsom kaffeböner, istärningar eller choklad. Då kan bladet skadas.

tips

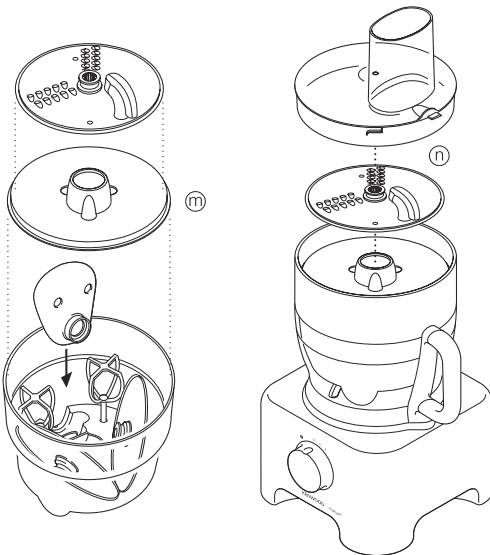
- Örtkryddor hackas bäst om de är rena och torra.
- Tillsätt alltid lite vätska vid mixning av tillagade ingredienser till barnmat.
- Skär livsmedel såsom kött, bröd, grönsaker i 1-2 cm stora tärningar innan de körs..
- Håll oljan i matarröret för att göra majonnäs.

②6 Tillsatskarusell KENSTORE™

Med din matberedare följer en tillsatskarusell som passar i skålen.

så här använder du tillsatskarusellen

- 1 Montera knivbladet i skålen.
- 2 Sätt sedan i vispen, skivorna och vispocket i karusellen ①.
- 3 Sätt karusellen över knivbladet och sätt på matberedarlocket ②.

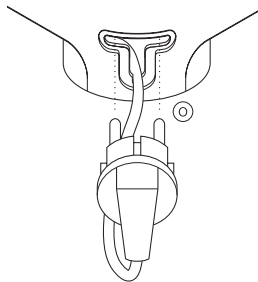


skötsel och rengöring

- Stäng alltid av matberedaren och dra ur kontakten innan du rengör den.
- Hantera kniv och skårskivor försiktigt - de är extremt vassa.
- Vissa livsmedel kan missfärga plasten. Detta är helt normalt. Plasten skadas inte, och mat som du lagar senare påverkas inte heller på något sätt. Om du gnuggar med en trasa doppad i vegetabilisk olja försvinner missfärgningen.

strömenhet

- Torka med fuktig trasa och torka sedan torrt. Kontrollera att det inte finns några matrester nära låsmekanismen.
- Förvara överflödig nätsladd i förvaringsutrymmet på apparatens baksida ☉.



mixer/kvarn

- 1 Töm kannan/kvarnen innan du skruvar bort den från bladenheten.
- 2 Diska kannan för hand.
- 3 Ta ut och diska tärningarna.
- 4 Rör inte vid de vassa knivbladen - borsta dem rena med varmt diskvatten och skölj sedan noga under rinnande vatten. **Doppa aldrig ner knivhållaren i vatten.**
- 5 Ställ den uppochner och låt den torka.

dubbelvisp

- Ta loss visparna från drivhuvudet genom att försiktigt dra ut dem. Diska i varmt vatten.
- Torka av drivhuvudet med fuktig trasa och torka sedan torrt. **Doppa aldrig ner drivhuvudet i vatten.**

alla övriga delar

- Diska för hand och torka.
- Alternativt kan de maskindiskas i övre korgen. Ett kort program med låg temperatur rekommenderas.

service och kundtjänst

- Om nätsladden skadas måste den av säkerhetsskäl bytas ut av Kenwood eller en auktoriserad Kenwood-reparatör.
Om du behöver hjälp med:
- hur du ska använda matberedaren
- service eller reparationer
Kontakta affären där du köpte matberedaren.

Norsk

Brett ut framsiden med illustrasjoner

før du tar Kenwood-apparatet i bruk

- Les nøye gjennom denne bruksanvisningen og ta vare på den slik at du kan slå opp i den senere.
- Fjern all emballasje og eventuelle merkesedler.

sikkerhet

- Knivbladene og skivene er svært skarpe og må håndteres med forsiktighet. **Hold alltid kniven i fingergrepet (a) øverst, bort fra eggen, både når du bruker og vasker kniven.**
- Ikke løft eller bær matprosessen etter håndtaket – ellers kan håndtaket knekke og føre til personskade.
- Ta alltid ut kniven før du tømmer bollen.
- Stikk ikke hendene eller redskaper ned i bollen eller hurtigmikseren når strømmen er tilkoblet.
- Slå av maskinen og trekk ut støpselet i følgende tilfeller:
 - før du setter inn eller tar ut deler
 - etter bruk
 - før rengjøring
- Bruk aldri fingrene til å skyve ingrediensene ned i påfyllingstrakten. Bruk alltid stapperne som følger med maskinen.
- Før du tar lokket av bollen eller hurtigmikseren/kvernen av strømenheten:-
 - slå av maskinen,
 - vente til ekstrautstyret/stålkniven har stoppet helt opp,
 - Pass på at du ikke skrur mikserglasset eller kvernen av knivenheten.
- Avkjøl væsker til romtemperatur før du har dem i hurtigmikseren.
- Start aldri maskinen ved å vri på lokket. Bruk av/på-bryteren.
- **Maskinen vil bli skadet og kan forårsake personskade hvis du bruker for stor makt på låsemekanismen.**
- Bruk kun originalt ekstrautstyr.
- Gå aldri fra maskinen mens den er på.
- Bruk aldri en defekt foodprocessor. Defekte maskiner må til kontroll eller reparasjon. Se "Vedlikehold og kundeservice".
- La aldri strømenheten, ledningen eller støpselet bli vått.
- La ikke ledningen henge over kanten på bordet eller arbeidsbenken, eller ligge inntil varme overflater.
- Ikke overgå de oppgitte maksimumskapasitetene.
- La ikke personer med bevegelsesbegrensning bruke apparatet uten tilsyn.
- Barn skal verken bruke eller leke med apparatet.
- Bruk bare apparatet til dets tiltenkte hjemlige bruk. Kenwood frasier seg ethvert ansvar ved feilaktig bruk eller dersom apparatet ikke er brukt i henhold til denne bruksanvisningen

før strømmen kobles til

- Forviss deg om at nettspenningen er den samme som den som står oppført på undersiden av maskinen.
- Denne maskinen oppfyller bestemmelsene i EU-direktiv 89/336/EEC.

før første gangs bruk

- 1 Fjern all emballasje, og ta av plastbeskytterne på knivbladene. **Vær forsiktig - knivbladene er svært skarpe.** Kast beskytterne. De er kun ment å beskytte kniven under produksjon og transport.
- 2 Vask samtlige deler. Se "Rengjøring".
- 3 Ledning som er til overs, kan legges i ledningsholderen på baksiden av maskinen.

nøkkel

foodprocessor

- ① strømenhet
- ② avtakbar drivaksel
- ③ bolle
- ④ lokk
- ⑤ påfyllingstrakt
- ⑥ stappere
- ⑦ sikkerhetssperrer
- ⑧ ledningsholder
- ⑨ hastighetskontroll

hurtigmikser

- ⑩ påfyllingskopp
- ⑪ lokk
- ⑫ mikserglass
- ⑬ gummiring
- ⑭ knivenhet

ekstrautstyr

Det er ikke sikkert at alt tilbehøret som er oppført nedenfor følger med matprosessen. Tilbehøret avhenger av modellen.

- ⑮ knivblad
- ⑯ deigkrok
- ⑰ dobbel metallvisp
- ⑱ multiblandelokk
- ⑲ tykk skjære/grov riveskive
- ⑳ tynn skjære/fin riveskive
- ㉑ fin (Julienne type) pommes friteskive
- ㉒ raspeskive
- ㉓ sitruspresse
- ㉔ kvern
- ㉕ miniprosessorbolle
- ㉖ KENSTORE™ tilbehørskarussell
- ㉗ slikkepott

velge hastighet til alle funksjonene

Verktøy/tilbehør	Funksjon	Hastighet	Maksimumskapasitet
Knivblad	Alt-i-ett kakedeig	1 – 2	1,5 kg total vekt
	Butterdeig – smuldre smør i mel	2	340 g melvekt
	Sette til vann for å binde ingrediensene til butterdeig	1 – 2	
	Hakking/mosing/posteier	2	600 g kjøtt
Knivblad med multiblandelokk	Suppe – start ved lav hastighet og øk til 2	1 – 2	1,5 liter
Visp	Eggehviter	2	6 eggehviter
	Egg og sukker til sukkerbrød	2	
	Fløte	1 – 2	500 ml
Deigkrok	Gjærdeig	2	600 g
Skiver – skjære/rive/potetkutter	Faste matvarer som gulrøtter, hard ost	2	
	Mykere mat som agurker, tomater	1	
Raspeskiver	Parmesanost, poteter til raspeballer	2	
Sitruspresse	Sitrusfrukter	1	
Minibolle og kniv	All prosessering	2	200 g
Hurtigmikser	All prosessering	2	1,5 liter
Kvern	All prosessering	2	

bruk av foodprocessoren

- 1 Sett den avtagbare drivakselen på strømenheten ❶ .
- 2 Sett bollen på strømenheten med hanken bakover, og vri den med klokken til den klikker på plass ❷ .
- 3 Plasser ønsket redskap over drivakselen.
 - Sett alltid bollen på strømenheten og ønsket redskap i bollen før du tilsetter ingredienser.
- 4 Sett lokket på bollen ❸ . Påse at toppen av drivakselen går inn i åpningen midt i lokket.
 - **Start aldri foodprocessoren ved å vri på lokket. Bruk av/på-bryteren.**
- 5 Slå på og velg hastighet.
 - **Foodprocessoren starter ikke hvis bollen og lokket ikke sitter skikkelig på plass.**
 - Bruk pulsfunksjonen (P) til korte stöt. Pulsfunksjonen fungerer så lenge kontrollen holdes på plass.
- 6 Følg trinnene ovenfor i motsatt rekkefølge når du skal ta av lokket, redskapene og bollen.
 - **Slå alltid av maskinen før du tar av lokket.**
 - **viktig**
 - Foodprocessoren egner seg ikke til knusing eller maling av kaffebønner, eller til knusing av grovt sukker til strøsukker (farin).
 - Når du tilsetter mandelessens eller andre smakstilsetninger, må ikke disse komme i kontakt med plastmaterialet da de kan lage merker.

slik bruker du hurtigmikseren

- 1 Sett tetningsringen ❸ i knivenheten ❹ – pass på at tetningen sitter riktig.
 - **Det lekker dersom tetningen er skadet eller ikke satt riktig på.**
- 2 Skru muggen på knivenheten.
- 3 Hell ingrediensene i muggen.
- 4 Sett påfyllingslokket på lokket, og vri.
- 5 Vri lokket med urviserne for å låse det på plass på muggen.
- 6 Sett hurtigmikseren på motordelen og vri for å låse den på ❺ .
- 7 Velg hastighet, eller bruk pulsfunksjonen.
 - **Avkjøl væsker til romtemperatur før du har dem i hurtigmikseren.**
 - **tips**
 - Når du lager majones skal du ha alle ingrediensene bortsett fra oljen i mikserglasset. Mens maskinen går heller du så oljen ned i påfyllingslokket og lar den renne ned.
 - Du må kanskje skrape ned sidene når du blander tykke blandinger, f.eks. posteier og dips. Hvis det er vanskelig å prosessere skal du ha i mer væske.
 - Når du knuser is skal du bruke pulsfunksjonen i korte stöt.
 - For å sikre lang levetid på hurtigmikseren, skal du ikke kjøre den i mer enn 60 sekunder. Slå den av så snart du har fått ønsket konsistens.
 - Ikke prosesser krydder – de kan skade platen.
 - Maskinen fungerer ikke dersom hurtigmikseren ikke er satt riktig på.
 - Ikke ha tørre ingredienser i hurtigmikseren før du slår den på. Hvis nødvendig skal du skjære dem i biter. Ta av påfyllingslokket, og mens maskinen går slipper du dem oppi en etter en.
 - Ikke bruk hurtigmikseren til oppbevaring. Den skal være tom før og etter bruk.
 - Ikke bland mer enn 1,5 liter – mindre for væsker som skummer, som milkshake.

bruk av ekstrautstyr

15 stålkniv/16 eltekrok

Stålkniven er det mest anvendelige av alt utstyret. Ingrediensenes konsistens avhenger av hvor lenge de bearbeides i maskinen. Hvis du ønsker en grovere konsistens, kan du bruke momentknappen.

Bruk stålkniven til å lage kake- og brøddeiger, hakke rått og kokt kjøtt, grønnsaker, nøtter, posteier, dip, puréer, supper og til å hakke smuler fra kjeks og brød. Kniven kan også brukes til å lage gjærdeig hvis du ikke har eltekrok.

Bruk eltekroken til gjærdeiger.

tips

stålkniv

- Skjær opp ingrediensene, f.eks. kjøtt, brød eller grønnsaker, i terninger på ca. 2 cm før du har dem i bollen.
- Kjeks brytes opp i mindre biter og tilsettes gjennom påfyllingstrakten mens maskinen er i gang.
- Når du skal lage deig, bruker du smør rett fra kjøleskapet, i terninger på ca. 2 cm.

● Pass på at du ikke bearbeider deigen for lenge i maskinen.

eltekrok

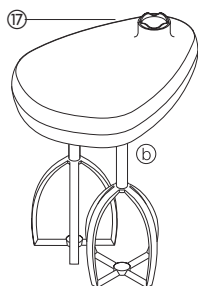
- Ha de tørre ingrediensene i bollen, og tilsett væsken gjennom påfyllingstrakten mens maskinen er i gang. Bland ingrediensene i maskinen til du får en myk og elastisk deigklump etter ca. 60-90 sekunder.
- Elt deigen ytterligere for hånd. Du bør ikke elte deigen i bollen da dette kan skade foodprocessoren.

17 stålvisp

Brukes kun til lette rører, f.eks. eggehviter, fløte, kondensert melk og eggedosis til deiger uten fett. Tykkere blandinger som inneholder smør og mel, vil skade vispen.

bruk av vispen

- 1 Sett drivakselen og bollen på strømenheten.
- 2 Skyv begge vispene godt inn i drivhodene i vispinnsatsen (b).
- 3 Tre vispen forsiktig nedover drivakselen.
- 4 Ha i ingrediensene.
- 5 Sett på lokket. Påse at toppen av drivakselen går inn i åpningen midt i lokket.
- 6 Slå på maskinen.



viktig

- Vispen er ikke egnet til alt-i-ett kaker eller til å røre smør og sukker hvitt, da disse blandingsene skader den. Bruk alltid knivenheten til kakerører.

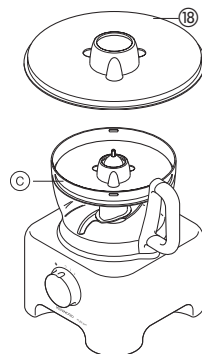
tips

- Du oppnår best resultater hvis eggene har romtemperatur.
- Påse at bollen og vispene er helt rene og fettfrie før du starter.

18 maks-blend sprutdeksel

Sprutdekslet brukes sammen med stålkniven ved blanding av væske i bollen. Dekselet gjør at du kan øke væskemengden fra 1 liter til 1,5 liter, hindre at innholdet i bollen spruter utover og bruke stålkniven mer effektivt.

- 1 Sett drivakselen og bollen på strømenheten.
- 2 Sett på stålkniven.
- 3 Ha i ingrediensene.
- 4 Sett sprutdekslet over knivinnsettsatsen, og påse at det hviler stabilt på kanten inne i bollen (c). **Press ikke sprutdekslet nedover, men ta tak i håndtaket i midten.**
- 5 Sett på lokket, og start maskinen.



skjære- og raspeskiver

vendbare skjære- og raspeskiver - tykk 19, tynn 20

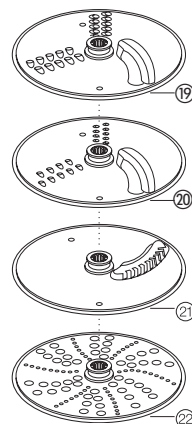
Raspesiden brukes til ost, gulrøtter, poteter og lignende matvarer. Skjæresiden brukes til ost, gulrøtter, poteter, kål, slangeagurk, squash, rødbeter og løk.

fin kutteskive (Julienne-type) 21

Brukes til å kutte poteter til ekstra tynne pommes frites, og kutte faste ingredienser til salater, garnering, gryteretter og kinamat (f.eks. gulrøtter, kålrot, squash, agurk).

raspeskive 22

Brukes til riving av parmesanost og poteter til raspeballer/komle.

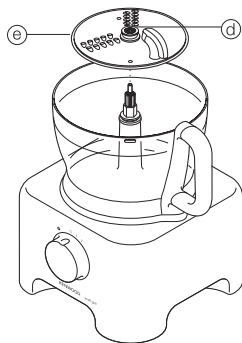


sikkerhet

- **Ta aldri av lokket før skjæreskiven har stoppet helt opp.**
- **Hånder skjæreskivene med forsiktighet - de er svært skarpe.**

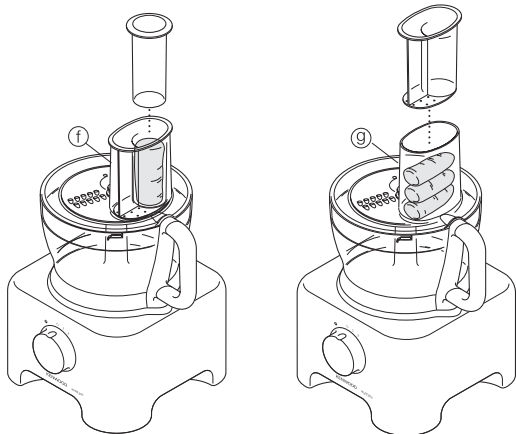
bruk av skjæreskivene

- 1 Sett drivakselen og bollen på strømenheten.
- 2 Hold skiven i fingergrepet i midten **Ⓞ**, og plasser den på drivakselen med ønsket side oppover **ⓔ**.
- 3 Sett på lokket.
- 4 Velg stapperen med passende størrelse. Stapperen har en smalere påfyllingstrakt på innsiden slik at du kan mate én og én matvare eller tynne ingredienser gjennom den. Når du skal bruke den indre påfyllingstrakten, må du først sette den store stapperen i den store påfyllingstrakten. Bruk begge stapperne samtidig når du bruker den store påfyllingstrakten.
- 5 Legg ingrediensene i påfyllingstrakten.
- 6 Slå på maskinen, og press maten jevnt nedover ved hjelp av stapperen. **Stikk aldri fingrene ned i påfyllingstrakten.**



tips

- Bruk alltid ferske matvarer.
- Skjær ikke opp matvarene i for små biter. Pakk alltid den store påfyllingstrakten ganske full. Dette hindrer at matvarene glir ut til siden under bearbeidingen. Du kan eventuelt bruke den lille påfyllingstrakten.
- Legg ingrediensene vannrett i påfyllingstrakten når du bruker kutteskiven.
- Ved skjæring og riving blir ingredienser som mates inn loddrett **ⓕ** kortere enn mat som legges vannrett **ⓖ**.
- Det vil alltid være igjen litt avfall på skiven eller i bollen etter bearbeidingen.



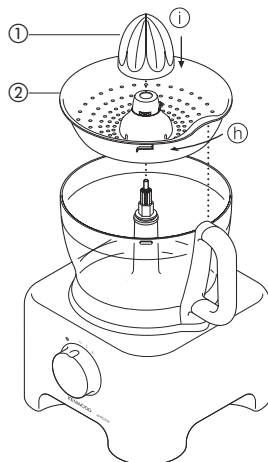
23 sitruspresse

Sitruspressen brukes til å presse ut saften fra sitrusfrukter (appelsin, sitron, lime og grapefrukt).

- 1 Kjegle
- 2 Sil

bruk av sitruspressen

- 1 Sett drivakselen og bollen på strømenheten.
- 2 Plasser silen i bollen, og påse at håndtaket på silen låses på plass rett over hanken på bollen **ⓗ**.
- 3 Plasser kjeglen over drivakselen, og vri rundt til den sitter på plass **Ⓢ**.
- 4 Del sitrusfrukten i to. Slå på maskinen, og press frukten ned på kjeglen.



- **Sitruspressen virker ikke hvis silen ikke sitter skikkelig på plass.**

24 kvern

Bruk kvernen til å male urter, nøtter og kaffebønner.

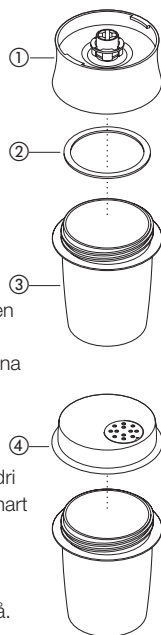
- 1 knivenheten
- 2 tetningsring
- 3 kopp/glass
- 4 stroløkk

sikkerhet

- Sett aldri knivenheten i maskinen uten at glasset er montert.
- Skru aldri av glasset/koppen mens multikvernen står på maskindelen.
- Ikke berør de skarpe knivene, og hold barn unna knivenheten.
- Ikke ta av kvernen før kniven har stanset helt.

Viktig

- For å sikre lang levetid på kvernen skal den aldri kjøres i mer enn 30 sekunder. Slå den av så snart du har oppnådd riktig konsistens.
- Ikke ha krydder i mikseren - de kan skade platen.
- Maskinen virker ikke hvis kvernen er satt feil på.
- Må kun brukes til tørre ingredienser

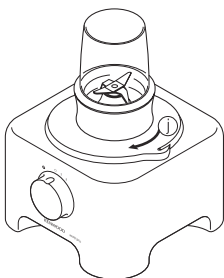


Bruk av multikvernen

- 1 Fyll ingrediensene i glasset/koppen. Det skal ikke være mer enn halvfullt.
 - 2 Sett gummipakningen på knivenheten.
 - 3 Snu knivenheten opp ned. Sett den ned i glasset med bladene vendt ned.
 - 4 Skru knivenheten fast i glasset med fingrene.
 - 5 Sett kvernen på motordelen, og vri for å låse på plass ①.
 - 6 Slå på maksimal hastighet, eller bruk pulsfunksjonen.
 - 7 Når du har malt ferdig kan du ta ut knivenheten og sette på strølokket hvis du vil strø blandingen.
- Strølokket er ikke lufttett.

Tips

- Det er best å male urter når de er rene og tørre.



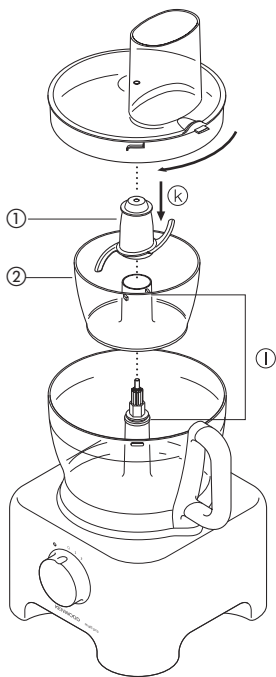
②5 miniprosessorbolle

Bruk miniprosessorbollen til å hakke urter og prosessere små mengder ingredienser, for eksempel kjøtt, løk, nøtter, majones, grønnsaker, mos, sauser og babymat.

- ① knivblad til miniprosessoren
- ② miniprosessorbolle

slik bruker du miniprosessorbollen

- 1 Sett drivakselen og bollen på motordelen.
- 2 Sett på miniprosessorbollen – pass på at ribbene på innsiden av minibolletrakten er på linje med spaltene i hovedtrakten ①.
- 3 Sett knivenheten over drivakselen ②.
- 4 Ha i ingrediensene som skal prosesseres.
- 5 Sett på lokket, og slå maskinen på.



sikkerhetshensyn

- Ikke ta av lokket før kniven har stanset helt.
- Knivbladet er svært skarpt – vær forsiktig når du tar i det.

viktig

- Ikke prosesser krydder – de kan skade plasten.
- Ikke prosesser hard mat som kaffebønner, isterninger eller sjokolade – de kan skade kniven.

tips

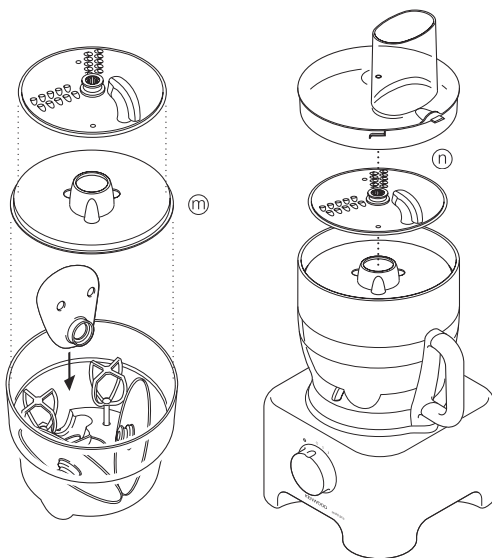
- Det er best å hakke urter når de er rene og tørre.
- Ha alltid i litt væske når du blander kokte ingredienser til barnemat.
- Skjær mat som kjøtt, brød og grønnsaker i terninger på ca. 1-2 cm før prosessering.
- Når du lager majones skal du sette oljen til gjennom matetrakten.

②7 KENSTORE™ tilbehørskarusell

Matprosessoren leveres med en tilbehørskarusell som passer inni bollen.

slik brukes oppbevaringskarusellen

- 1 Sett knivbladet ned i bollen.
- 2 Sett så vispen, skivene og multiblandelokket på karusellen ③.
- 3 Sett karusellen over knivenheten og sett prosessorlokket på toppen ④.

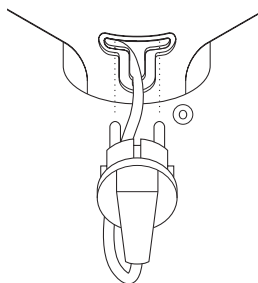


vedlikehold og rengjøring

- Slå alltid av maskinen og trekk ut støpselet før rengjøring.
- Hånder stålkniven og skjæreskivene med forsiktighet - de er svært skarpe.
- Enkelte ingredienser kan føre til misfarging av plastmaterialet. Dette er helt normalt og skader ikke plasten. Det påvirker heller ikke smaken på maten. Fjern misfarging med en klut fuktet i vegetabilsk olje.

strømenhet

- Tørk av med en fuktig klut, og deretter med en tørr klut. Påse at det ikke er matrester i eller rundt sikkerhetslåsen.
- Ledning som er til overs, legges i ledningsholderen på baksiden av maskinen Ⓞ.



hurtigmikser/kvern

- 1 Tøm mikserglasset/glasset før du skrur det av knivenheten.
- 2 Vask mikserglasset/glasset for hånd.
- 3 Ta av og vask tetningene
- 4 Ikke berør de skarpe knivbladene. Vask dem med en oppvaskkost og varmt såpevann, og skyll dem under springen.

Legg ikke knivenheten i vann.

- 5 Legg knivenheten opp ned, og la den lufttørke.

stålvisp

- Trekk begge vispene forsiktig ut av drivhodene på vispinnsatsen. Vask dem i varmt såpevann.
- Tørk av drivhodet med en fuktig klut, og deretter med en tørr klut. **Drivhodet må ikke legges i vann.**

alle andre deler

- Vask delene for hånd, og tørk av.
- Eller du kan vaske dem i den øverste kurven i oppvaskmaskinen. Vi anbefaler et kort program med lav temperatur.

kundeservice

- Hvis ledningen er skadet, må den av sikkerhetsmessige grunner erstattes av Kenwood eller en autorisert Kenwood-reparatør.
Hvis du trenger hjelp til
- å bruke maskinen,
- service eller reparasjon, kan du kontakte forhandleren der du kjøpte maskinen.

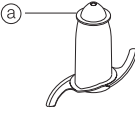
Suomi

Taita auki etusivun kuvitukset

ennen kuin ryhdyt käyttämään tätä Kenwood-kodinkonetta

- Lue nämä ohjeet huolella ja säilytä ne myöhempiä tarvetta varten.
- Poista pakkauksen osat ja mahdolliset tarrat.

turvallisuus

- Leikkuuterät ja raastinlevyt ovat erittäin teräviä: käsittele niitä varoen. **Tartu leikkuuterään aina sormien avulla**  **osan yläosasta siten, että sormet ovat kaukana terästä käsitellessäsi ja puhdistaussasi terää.**
- Älä nosta tai kanna monitoimikonetta kahvasta, sillä kahva voi murtua ja aiheuttaa vahinkoja.
- Irrota leikkuuterä aina ennen kuin kaadat kulhon sisällön astiaan.
- Älä pane käsiä tai työvälineitä sekoituskulhoon tai tehosekoittimen kannuun silloin kun virta on päällä.
- Sammuta virta ja irrota pistoke rasiasta:
 - ennen osien kiinnittämistä tai irrottamista
 - käytön jälkeen
 - ennen puhdistusta
- Älä koskaan paina ruokaa syöttösuppiloon sormien avulla. Syöä ainekset laitteen mukana toimitetun painimen avulla.
- Ennen kannen irrottamista kulhosta tai tehosekoittimen/myllyn irrottamista runko-osasta:
 - kytke virta pois;
 - odota, kunnes levy/terä on pysähtynyt kokonaan;
 - Ole varovainen, ettet kierrä myllyä tai tehosekoittimen kannua irti teräosasta.
- Anna kaikkien nesteiden jäähtyä huoneenlämpöiseksi ennen niiden kaatamista tehosekoittimeen.
- Älä pyöritä käyttölaitetta kannen avulla, vaan käytä aina on/off-kytkintä.
- **Laitte rikkoutuu ja saattaa aiheuttaa vahinkoa, jos väännät lukitusmekanismia liian voimakkaasti.**
- Älä koskaan kiinnitä laitteeseen muita kuin sen omia osia.
- Valvo aina laitteen toimintaa.
- Jos laite on vahingoittunut, sitä ei saa käyttää. Tarkistuta tai korjauta laite ensin: katso 'huolto'.
- Älä kastele virtayksikköä, sähköjohtoa tai pistoketta.
- Varo, ettei virtajohto roiku pöydän tai työtason reunan alla tai kosketa kuumiin pintoihin.
- Merkittävät maksimikapasiteetteja ei saa ylittää.
- Älä anna lasten tai toimintarajoitteisten henkilöiden käyttää laitetta ilman valvontaa.
- Älä anna lasten käyttää tai leikkiä laitteella.
- Käytä laitetta ainoastaan sille tarkoitettuun kotitalouskäyttöön. Kenwood-yhtiö ei ole korvausvelvollinen, jos laitetta on käytetty väärin tai näitä ohjeita ei ole noudatettu.

ennen kuin kiinnität pistokkeen pistorasiaan

- Varmista, että asuntosi verkkovirta vastaa laitteen alla olevassa kilvessä mainittua.
- Laite on valmistettu Euroopan Talousyhteisön Direktiivin 89/336/EEC mukaisesti.

ennen kuin käytät laitetta ensimmäistä kertaa

- 1 Poista kaikki pakkausmateriaalit, myös leikkuuterän suojamuovit. **Toimi varoen, sillä terät ovat erittäin teräviä.** Nämä suojukset voi heittää pois, sillä ne on tarkoitettu ainoastaan valmistuksen ja kuljetuksen ajaksi suojaukseksi.
- 2 Pese osat, katso 'puhdistus'
- 3 Työnnä ylimääräinen virtajohto laitteen takana olevaan lokeroon.

osat

monitoimikone

- ① virtayksikkö
- ② irrotettava pyörityskappale
- ③ kulho
- ④ kansi
- ⑤ syöttösuppilo
- ⑥ painimet
- ⑦ turvalukitus
- ⑧ virtajohdon lokero
- ⑨ nopeudensäätö

tehosekoitin

- ⑩ täyttökansi
- ⑪ kansi
- ⑫ kannu
- ⑬ tiivisterengas
- ⑭ teräyksikkö

lisävälineet

Kaikkia luettelossa mainittuja lisälaitteita ei välttämättä ole toimitettu monitoimikoneesi mukana. Lisälaitteet määräytyvät mallin mukaan.

- ⑮ hienonnusterä
- ⑯ taikinansekoitin
- ⑰ metallivatkain kahdella vispilällä
- ⑱ maksimisekoituskansi
- ⑲ paksu viipalointi / karkea raastinterä
- ⑳ ohut viipalointi / hieno raastinterä
- ㉑ ohut suikalointiterä
- ㉒ rouhintaterä
- ㉓ sitruspuserrin
- ㉔ mylly
- ㉕ pieni monitoimikulho
- ㉖ KENSTORE™-pyöröteline lisälaitteille
- ㉗ kaavin

nopeuden valitseminen kaikille toiminnoille

Väline/lisälaitte	Toiminta	Nopeus	Maksimikapasiteetit
Hienonusterä	Yksivaiheiset kakkutaikinat Murotaikina – rasvan hierominen jauhoihin Veden lisääminen murotaikina-ainesten yhdistämiseksi Hienontaminen/soseuttaminen/pateet	1 – 2 2 1 – 2 2	1,5 kg kokonaispaino 340 g jauhojen paino 600 g lihaa
Hienonusterä maksimisekoituskannella	Keitot – aloita alhaisella nopeudella ja siirry nopeudelle 2	1 – 2	1,5 litraa
Vatkain	Munanvalkuaiset Munat ja sokeri sokerikakuissa Kerma	2 2 1 – 2	6 munanvalkuaista 5 dl
Taikinansekoitin	Hiivataikinat	2	600 g
Terät – viipalointi/raastin/suikalointi	Kovat ruoka-aineet, kuten porkkanat, kova juusto Pehmeämmät ainekset, kuten kurkku, tomaatti	2 1	
Rouhintaterä	Parmesan-juusto, peruna perunamykyjä varten	2	
Sitruspuserin	Sitruhedelmät	1	
Pieni kulho & terä	Kaikki käsittely	2	200 g
Tehosekoitin	Kaikki käsittely	2	1,5 litraa
Mylly	Kaikki käsittely	2	

monitoimikoneen käyttö

- 1 Aseta irrotettava akseli moottoriosan päälle ❶.
- 2 Aseta kulho paikalleen. Aseta kulhon kahva taaksepäin ja pyöritä kulhoa myötäpäivään, kunnes se naksauttaa paikalleen ❷.
- 3 Kiinnitä haluamasi väline pyörityskappaleen päälle.
 - Aseta kulho ja työväline aina paikalleen laitteeseen ennen kuin kaadat kulhoon valmistusaineita.
- 4 Kiinnitä kansi paikalleen ❸ - varmista, että pyörityskappaleen yläpää on kannen keskellä.
 - **Älä käytä monitoimikonetta kannesta pyörittämällä, vaan käytä aina on/off-nopeuskytkintä.**
- 5 Kytke virta ja valitse nopeus.
 - **Monitoimikone ei toimi, jos kulho ja kansi eivät ole kunnolla paikallaan.**
 - Käytä pitokytöntä (P), kun haluat käyttää konetta sykäyksittäin. Laitte toimii sen aikaa, kun kytkintä pidetään paikallaan.
- 6 Kansi, työvälineet ja kulho irrotetaan päinvastaisessa järjestyksessä.
 - **Kytke virta pois aina ennen kuin avaat kannen. tärkeää**
 - Monitoimikoneella ei voi rouhia tai jauhaa kahvinpajuja tai hienontaa palasokeria.
 - Kun käytät mausteena manteliesanssia tai -aromia, varo että aine ei kosketa muoviosiin, sillä siitä jää pysyviä jälkiä.

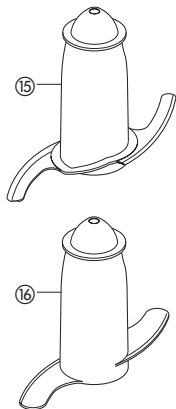
tehosekoittimen käyttö

- 1 Aseta tiivisterengas ❸ teräosaan ❹ – varmista, että tiiviste on asetettu oikein.
 - **Teräosa vuotaa, jos tiiviste on vaurioitunut tai sitä ei ole asennettu oikein.**
- 2 Kierrä kannu teräosan päälle.
- 3 Laita sekoitettavat ainekset kannuun.
- 4 Aseta täyttökorkki kanteen ja käännä.
- 5 Lukitse kannu kääntämällä kantta myötäpäivään.
- 6 Aseta tehosekoitin moottoriosan päälle ja lukitse kääntämällä ❺.
- 7 Valitse nopeus tai käytä pitokytöntä.
 - **Anna kaikkien nesteiden jäähtyä huoneenlämpöiseksi ennen niiden kaatamista tehosekoittimeen.**
 - **vihjeitä**
 - Kun valmistat majoneesia, laita kaikki ainekset öljyä lukuun ottamatta tehosekoittimeen. Kun kone on käynnissä, kaada öljy täyttöaukon korkkiin ja anna sen valua läpi.
 - Paksut seokset, kuten pateet ja dippikastikkeet, voi joutua kaapimaan reunoilta. Jos käsittely on vaikeaa, lisää nestettä.
 - Käytä jään murskaamiseen pitokytöntä sykäyksittäin.
 - Tehosekoittimen pitkän käyttöä varmistamiseksi älä koskaan käytä sekoitinta 60 sekuntia kauempaa. Kytke se heti pois päältä, kun seoksen koostumus on oikea.
 - Älä jauha mausteita, sillä ne saattavat vaurioittaa muoviosia.
 - Kone ei toimi, jos tehosekoitin on asennettu väärin.
 - Älä laita kuivia aineksia tehosekoittimeen ennen sen kytkemistä päälle. Leikkaa ne tarvittaessa paloiksi, irrota täyttöaukon korkki ja pudota ne yksitellen aukon läpi koneen käydessä.
 - Älä käytä tehosekoitinta säilytysastiana. Pidä se tyhjänä ennen ja jälkeen käytön.
 - Älä ylitä 1,5 litran täyttömäärää – käytä vaahtoavia nesteitä, kuten pirtelö, sitä vähemmän.

välineiden käyttö

15 hienonnusterä/16 taikinan sekoitin

Leikkuuterä on monipuolisin kaikista monitoimikoneen välineistä. Saavutettava koostumus määräytyy käsittelyajan pituuden perusteella. Kun haluat karkean lopputuloksen, käytä sykäspainiketta. Hienonnusterää käytetään kakkujen ja leivonnaisten valmistamiseen, raa'an ja kypsennetyn lihan jauhamiseen, vihannesten pilkkomiseen, pähkinöiden jauhamiseen, pateen, dippien ja sosekeittojen valmistamiseen sekä pikkuleipien ja leipien murentamiseen. Käytä taikinan sekoitinta hiivataikinan valmistamiseen.



vinkejä leikkuuterä

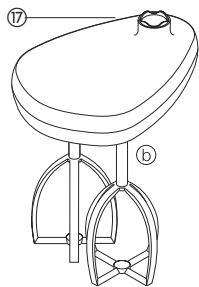
- Leikkaa ainekset, esim. liha, leipä, vihannekset, noin 2cm:n kuutioiksi.
 - Paloittele pikkuleivät pienempiin osiin ja pudota syöttösuppilon läpi koneen käydessä.
 - Käytä taikinan valmistuksessa jääkaappikylmää rasvaa, jonka olet pilkkonut 2cm:n kuutioiksi.
 - Älä pyöritä konetta liian kauan.
- #### **taikinan sekoitin**
- Pane kuivat aineet kulhoon ja lisää neste syöttösuppilon kautta koneen käydessä. Annan koneen käydä, kunnes taikinasta on muodostunut tasainen ja joustava pallo (noin 1 - 1 1/2 minuuttia).
 - Jos alustusta tarvitsee jatkaa, tee se käsin. Uudelleen alustamista kulhossa ei suositella, sillä monitoimikone saattaa alkaa täristä.

17 kaksoisvatkain

Käytä vatkaainta vain kevyiden aineiden vatkaamiseen, esim. munanvalkuaiset, kerma, maitotiviste sekä munien ja sokerin sekoittaminen valmistaessasi rasvattomia kakkutaikinoita. Raskaammat aineet, esim. rasva ja jauhot, rikkovat vatkaimen.

vatkaimen käyttö

- 1 Kiinnitä pyörytyskappale ja kulho virtayksikköön.
- 2 Työnnä kumpikin vispilä tiukasti paikalleen käyttöpäähän (b).
- 3 Aseta vatkain paikalleen kääntämällä varovasti, kunnes se painuu pyörytyskappaleen yli.
- 4 Lisää kulhoon valmistusaineet.
- 5 Kiinnitä kansi - varmista, että pyörytyskappaleen pää on kannen keskellä.
- 6 Käynnistä kone.



tärkeää

- Vispilä ei sovi yksivaiheisten kakkutaikainoiden valmistukseen eikä voinin ja sokerin vaahdottamiseen, sillä tällaiset seokset voivat vaurioittaa vispilän. Käytä kakkutaikainoiden valmistukseen hienonnusterää.

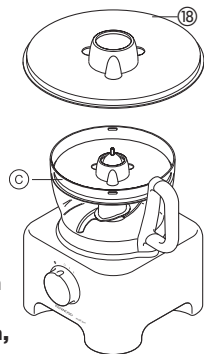
vinkejä

- Kananmunat vatkaavat parhaiten huoneenlämpöisinä.
- Tarkista aluksi, että kulho ja vispilät ovat puhtaat eikä niissä ole rasvaa.

18 maksimisekoituskansi

Käytä nesteiden sekoittamiseen maksimisekoituskantta ja hienonnusterää. Näin sekoitettavan nesteen määrä voi olla jopa 1.5 l (1 l:n sijaan), neste ei vuoda yli, ja terä leikkaa paremmin.

- 1 Kiinnitä pyörytyskappale ja kulho virtayksikköön.
- 2 Kiinnitä hienonnusterä.
- 3 Lisää sekoitettavat ainekset.
- 4 Kiinnitä sekoituskansi terän päälle varmistaen, että se on kunnolla paikallaan kulhon sisällä olevan ulkoneman päällä (c). **Älä paina kantta alaspäin, pidä kiinni kannen keskellä olevasta ottimesta.**
- 5 Kiinnitä kansi ja käynnistä kone.



viipalointi/raastinterät

käännettävät

viipalointi/raastinlevy - paksu (19), ohut (20)

Käytä terän raastinpuolta juuston, porkkanoiden, perunoiden yms. raastamiseen.

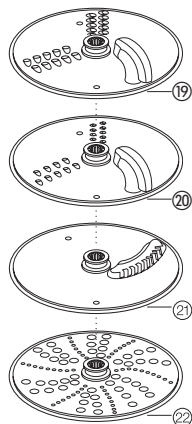
Käytä terän viipalointipuolta juuston, porkkanoiden, perunoiden, kaalin, kurkun, kesäkurpitsan, punajuurien ja sipuleiden viipaloimiseen.

ohut suikaleterä (21)

Käyttö: ranskalaisten perunoiden leikkaaminen; kiinteät ainekset salaatteihin, koristeluun, pataruokiin ja öljyssä kypsentämiseen (esim. porkkana, lanttu, kesäkurpitsa, kurkku).

hienoraastinterä (22)

Parmesaanijuuston ja perunoiden raastaminen (perunapyörykät).

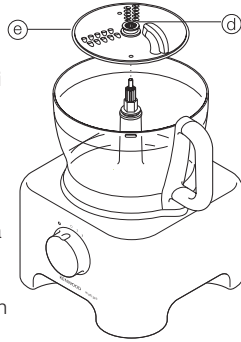


turvallisuus

- **Älä koskaan poista kantta ennen kuin leikkuulevy on pysähtynyt kokonaan.**
- **Käsittele leikkuuteriä varoen - ne ovat erittäin teräviä**

leikkuuterien käyttö

- 1 Aseta pyörityskappale ja kulho virtayksikön päälle.
- 2 Pidä kiinni terän keskeltä ④ ja aseta se pyörityskappaleen päälle haluamasi puoli päälle päin.
- 3 Aseta kansi paikalleen ⑤.
- 4 Valitse sopivan kokoinen syöttösuppilo. Painimessa on pienempi syöttösuppilo yksittäisten palojen tai hienon aineksen käsittelyä varten.



Kun haluat käyttää pientä syöttösuppiloa -asetä ensin iso painin syöttösuppilon sisään.

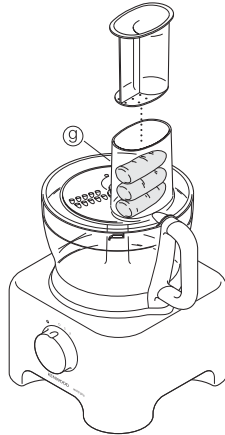
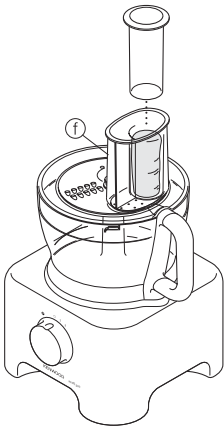
Kun haluat käyttää isoä syöttösuppiloa - käytä kumpaakin paininta yhdessä.

- 5 Pane ruoka syöttösuppiloon.

- 6 Käynnistä laite ja paina ruokaa painimen avulla alaspäin - **älä koskaan pane sormiasi syöttösuppiloon.**

vinkkejä

- Käytä tuoreita valmistusaineita
- Älä leikkaa ruokaa liian pieniksi paloiksi. Täytä iso syöttösuppilo melkein täyteen. Näin ainekset eivät pääse liikkumaan sivusuunnassa käsittelyn aikana. Käytä vaihtoehtoisesti pientä syöttösuppiloa.
- Kun käytät suikaleterää, aseta ainekset vaakasuuntaisesti.
- Viipalointi tai raastaminen: pystysuuntaan järjestetyistä aineksista ① tulee pienempiä kuin vaakasuuntaisesti asetetuista ②.
- Lautaselle tai kulhoon jää aina vähän hukka-ainetta.



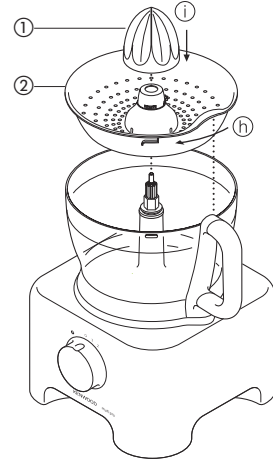
②③ sitruspuserrin

Sitruspuserrinta käytetään sitrushedelmien mehun puristamiseen (esim. appelsiinit, sitruunat, limettihedelmät ja greipit).

- ① kartio
- ② siivilä

sitruspusertimenkäyttö

- 1 Kiinnitä pyörityskappale ja kulho virtayksikköön.
- 2 Aseta siivilä kulhoon - varmista, että siivilän otin on kulhon kahvan kohdalla ⑥.
- 3 Aseta kartio pyörityskappaleen päälle ja käännä sitä, kunnes se painuu alas asti ①.
- 4 Leikkaa hedelmä kahtia. Käynnistä kone ja purista hedelmä kartiota vasten.



- **Sitruspuserrin ei toimi, jos siivilä ei ole kunnolla paikallaan.**

②④ mylly

Käytetään yrttien hienontamiseen ja pähkinöiden ja kahvinpapujen jauhamiseen.

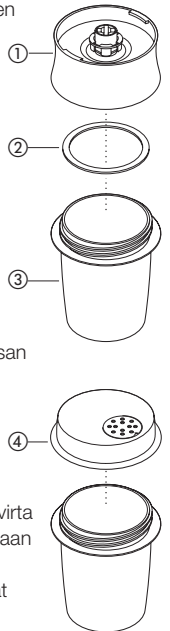
- ① terä
- ② tiivisterengas
- ③ astia
- ④ sirotuskansi

turvallisuus

- Älä koskaan kiinnitä teräosaa koneeseen ilman hienonnuusastiaa.
- Älä kierrä astiaa irti alustasta, jos monitoimimylly on laitteessa kiinni.
- Älä koske teräviä teriä. Älä päästä lapsia teräosan lähetyville.
- Älä koskaan irrota myllyä ennen kuin terä on pysähtynyt kokonaan.

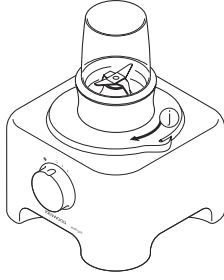
tärkeää

- Pitkän käyttöiän varmistamiseksi älä koskaan käytä myllyä 30 sekuntia kauempaa. Katkaise virta heti, kun hienonnettava aine on koostumukseltaan oikeaa.
- Älä jauha laitteessa mausteita, sillä ne saattavat vaurioittaa muovipinnan.
- Kone ei toimi, jos mylly on asennettu väärin.
- Käytä vain kuivia aineksia.



myllyn käyttö

- 1 Laita ainekset hienonnusastiaan. Älä täytä sitä yli puolen väliin.
- 2 Aseta tiivisterengas teräosaan.
- 3 Käännä teräosa ylösalaisin. Aseta se hienonnusastiaan terät alaspäin.
- 4 Kierrä teräosa hienonnusastiaan kiinni kiristäen sitä käsin.
- 5 Aseta mylly moottoriosan päälle ja lukitse kääntämällä ①.
- 6 Kytke maksiminopeus päälle tai käytä pitokytkintä.
- 7 Jauhatuksen jälkeen voit vaihtaa teräosan sirotuskanteen ja sirotella jauhetun/hienonnetun aineen.



- Sirotuskansi ei ole ilmatiivis.

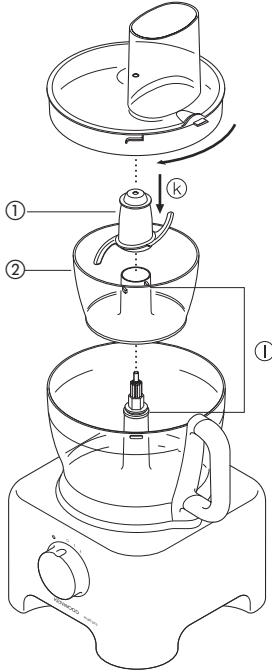
vihjeitä

- Paras tulos saavutetaan, kun yrtit hienonnetaan puhtaina ja kuivina.

②5 pieni monitoimikulho

Pientä monitoimikulhoa käytetään yrttien hienontamiseen ja mm. lihan, sipulin, pähkinöiden ja vihannesten käsittelyyn tai majoneesin, soseiden, kastikkeiden ja vauvanruoan valmistukseen pienissä erissä.

- ① pienen monitoimikulhon hienonnusterä
- ② pieni monitoimikulho



pienen monitoimikulhon käyttö

- 1 Aseta akseli ja kulho runko-osan päälle.
- 2 Kiinnitä pieni monitoimikulho. Varmista, että pienen kulhon sylinterin sisäpuolella olevat kohouvat asettuvat kohdalleen varsinaisen kulhon sylinterin urien kanssa ①.
- 3 Aseta hienonnusterä akselin päälle ②.
- 4 Lisää käsiteltävät ainekset.
- 5 Kiinnitä kansi ja kytke kone päälle.

turvallisuus

- Älä koskaan irrota kantta ennen kuin hienonnusterä on pysähtynyt kokonaan.
- Käsittele hienonnusterää varoen, sillä se on hyvin terävä.

tärkeää

- Älä jauha mausteita, sillä ne saattavat vaurioittaa muoviosia.
- Älä hienonna kovia aineita (esim. kahvipapuja, jääpaloja tai suklaata), sillä ne saattavat vaurioittaa terän.

vihjeitä

- Hienonna yrtit puhtaina ja kuivina.
- Lisää aina vähän nestettä, kun valmistat vauvanruokaa kypsennetyistä aineksista.

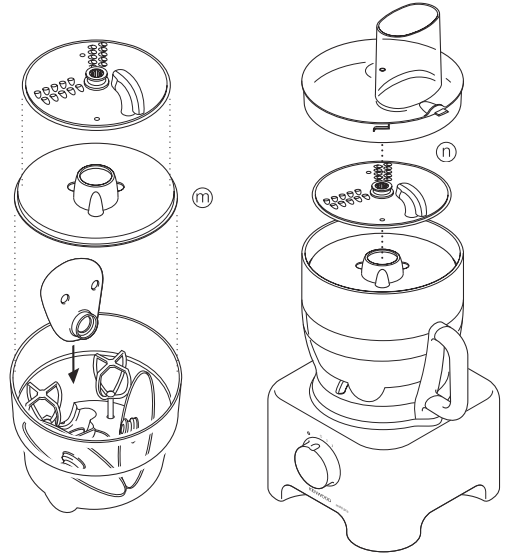
- Ennen hienontamista leikkaa ruoka-aineet, kuten liha, leipä tai kasvikset, noin 1–2 cm:n kokoisiksi kuutioiksi.
- Valmistatessasi majoneesia lisää öljy seokseen syöttösuppilon kautta.

②6 KENSTORE™-pyöröteline lisälaitteille

Monitoimikoneeseen kuuluu pyöröteline lisälaitteiden säilytykseen, joka sopii kulhon sisälle.

pyörötelineen käyttö

- 1 Aseta hienonnusterä kulhoon.
- 2 Aseta sitten vatkein, terät ja kansi pyörötelineeseen ①.
- 3 Aseta pyöröteline hienonnusterän päälle ja laita monitoimikoneen kansi päälle ②.

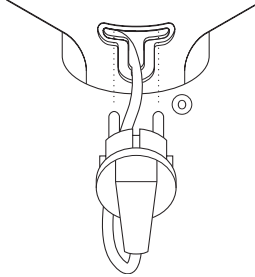


huolto ja puhdistus

- Sammuta laite ja irrota pistoke pistorasiasta aina ennen puhdistamista.
- Käsittele teriä ja leikkuulevyjä varoen - ne ovat erittäin teräviä.
- Jotkut elintarvikkeet saattavat värjätä muovia. Tämä on täysin normaalia eikä vahingoita muovia tai vaikuta ruoan makuun. Poista väri hankaamalla kasvisöljyyn kastetulla kankaalla.

virtayksikkö

- Pyyhi kostealla pyyhkeellä ja kuivaa.
- Varmista, että lukituskohdassa ei ole ruoan jätteitä.
- Säilytä ylimääräinen johto laitteen takana olevassa lokerossa (C).



tehosekoitin/mylly

- 1 Tyhjennä kannu/hienonnusastia ennen kuin kierrät sen irti teräosasta.
- 2 Pese kannu/hienonnusastia käsin.
- 3 Irrota ja pese tiivisteet.
- 4 Älä koske teräviin teriin - pese ne puhtaaksi kuumassa pesuainevedessä harjan avulla ja huuhtelee sen jälkeen huolellisesti juoksevan veden alla. **Älä upota teräyksikköä veteen.**
- 5 Anna kuivua ylösalaisin.

kaksoisvatkain

- Irrota vispilät käyttöpäästä vetämällä niitä varovasti ulospäin. Pese lämpimällä pesuainevedellä.
- Pyyhi käyttöpäätä kostealla pyyhkeellä ja kuivaa sen jälkeen. **Älä upota käyttöpäätä veteen.**

kaikki muut osat

- Pese käsin ja kuivaa pesun jälkeen.
- Vaihtoehtoisesti ne voidaan pestä astianpesukoneen yläritilällä. Pesuohjelmaksi suositellaan lyhytohjelmää alhaisella lämpötilalla.

huolto ja asiakaspalvelu

- Jos virtajohto vahingoittuu, sen vaihtaminen on turvallisuussyistä sallittua ainoastaan Kenwoodin oman tai valtuuttaman korjausliikkeen toimesta.

Jos tarvitset apua:

- Laitteen käytössä
 - Huollossa tai korjauksessa
- Ota yhteys liikkeeseen, josta ostit monitoimikoneen.