

Service  
Service  
Service



Philips Consumer Lifestyle

# Service Manual

## PRODUCT INFORMATION

### General

- Rechargeable hairclipper
- World wide automatic voltage selection 100 - 240 Volt
- Mains operating when battery is empty

### Safety information

- This product meets the requirements regarding interference suppression on radio and TV.
- After the product has been repaired, it should function properly and has to meet the safety requirements as officially laid down at this moment.

## TECHNICAL INFORMATION

- Voltage : 100 - 240 V
- Motor voltage : 3,6 V
- Battery : Li-ion
- Cutter need no oiling
- Length setting : Up to 40 mm
- Multifunctional display : Length setting / Battery status
- Operating time : Up to 60 minutes
- Charging time : 1 hour

## DISASSEMBLY- AND RE-ASSEMBLY ADVICE

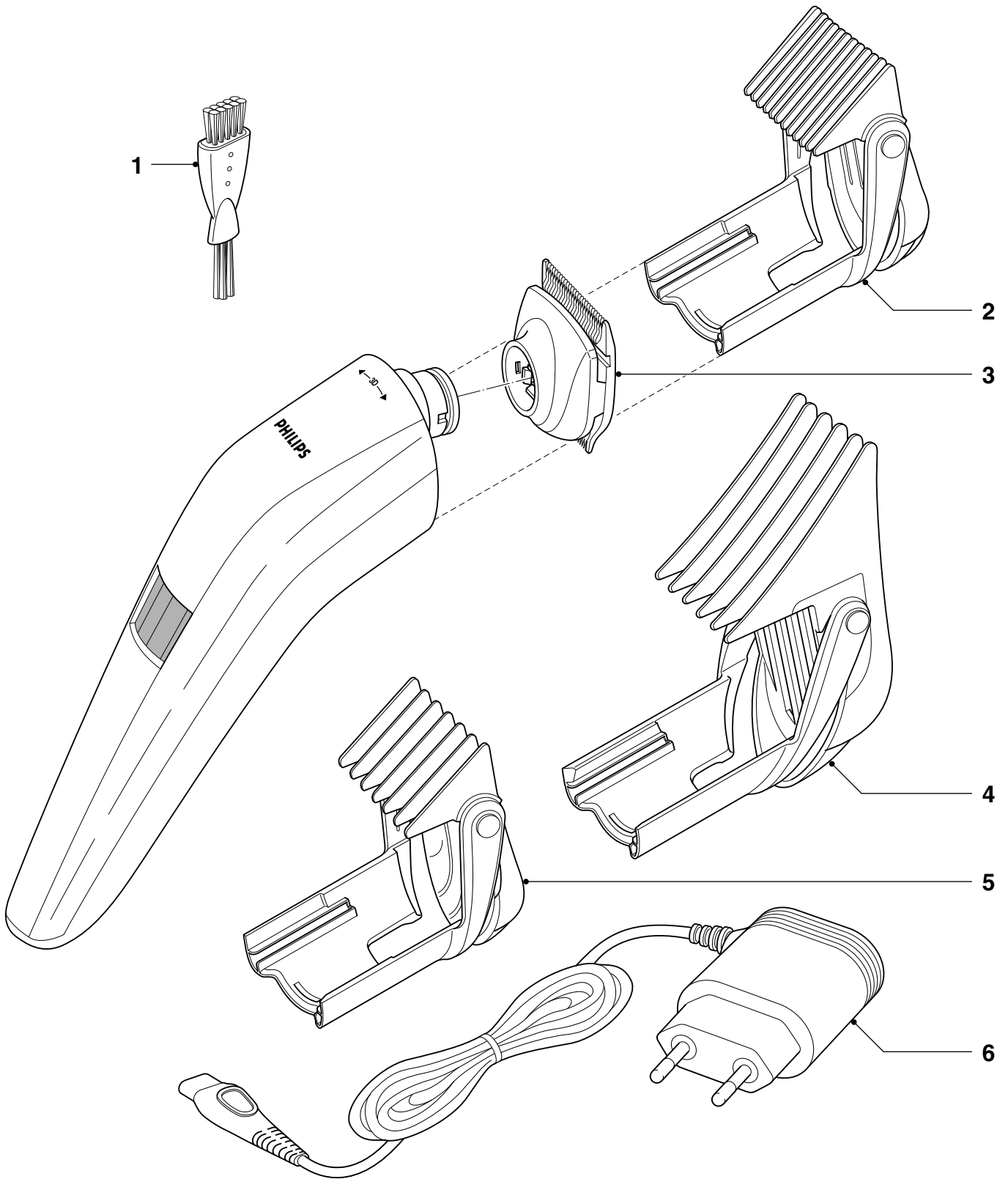
- No specific issues

## REPAIR INSTRUCTIONS

- No specific issues

## OPTIONAL (accessories)

- 2722 171 90066 Power plug Europe
- 2722 171 90076 Power plug USA,CA,TW,MEX,JAP
- 2722 171 90087 Power plug Australia/New Zealand
- 2722 171 90069 Power plug United Kingdom
- 2722 171 90072 Power plug Korea
- 2722 171 90085 Power plug PRC
- 2722 171 90089 Power plug Argentina
- 2722 171 90074 Power plug Brasil



Pos	Service code	Description	
1	4222 036 02770	Brush	
2	4222 036 17751	Thinning comb	
3	4222 036 17761	Cutter	
4	4222 036 17731	Big comb	23 - 42 mm
5	4222 036 17741	Small comb	3 - 22 mm
6	See optional	Power plug	